

V81

V110

Premium Cyclonic
Central Vacuum
System


Installation & Operation Manual



Central Vacuum
Intercom
Security
Automation

www.valet.com.au

SALES - SERVICE - SPARES

 1800 050 333

NESS HEAD OFFICE

 02 8825 9222



VALET PREMIUM CYCLONIC CENTRAL VACUUM
VAC-154 V81 POWER UNIT
VAC-157 V110 POWER UNIT

OWNER'S MANUAL
REV 2, September 2022



COPYRIGHT NOTICE

All rights reserved. No part of this publication may be reproduced, transmitted or stored in a retrieval system in any form or by any means, electronic, mechanical, photocopying, recording, or otherwise, without the prior written permission of Ness.

Ness reserves the right to make changes to features and specifications at any time without prior notification in the interest of ongoing product development and improvement.

© 2022 Ness Corporation Pty Ltd ABN 28 069 984 372

Contents

Safety Instructions	4
Handling & Unpacking	5
Components	6
Installing the Power Unit	7, 8
Connecting the PVC Pipe	9
Electrical	10
Start vacuuming	11
How to empty the dust container	12
How to clean the filter cartridge	13
How to replace the filter cartridge	14
Technical Specifications	15

Valet Vacuum Owners Manual

Intended only for Household and Light Commercial Use

Valet V81 & V110 power units are designed to power central vacuum systems for residential buildings.

The power unit is connected to the ducted piping serving the various rooms. Inlet valves are installed in rooms in the house for plugging the vacuum hose and various cleaning accessories.

The vacuum unit has been designed to remove dust and small solid material and must not be used to vacuum liquids or hazardous materials.

IMPORTANT SAFETY INSTRUCTIONS

BEFORE INSTALLATION OR OPERATION:

- Read the supplied manual and ensure correct installation and use of the product/s
- Empty the dust container regularly
- Check the condition of the filter cartridge regularly
- Do not install outside unless proper weather protection is in place
- Do not connect to a non grounded supply or a non approved supply
- Do not service the Power Unit unless it has been disconnected from the supply
- Do not use with a damaged electrical lead or plug
- Keep electrical lead away from heated or sharp objects
- Keep inflammable objects or liquids away from the Power Unit
- Do not place or store anything on top of the Power Unit
- Do not place or store anything that may restrict the air flow of the Power Unit
- Do not vent the Power Unit into a wall, a ceiling, or any enclosed space
- Do not vacuum any wet surfaces
- Do not vacuum any liquids, including any fuels
- Do not vacuum anything that is hot, burning or smoking
- Do not vacuum any ash, even it appears dormant
- Avoid vacuuming plaster dust or talcum powder, which can cause clogging of the filter cartridge
- Do not obstruct, block or impede the hose or wall valve inlets
- Keep hair, all parts of the body and loose clothing away from the hose or wall inlets
- Do not use non recommended attachments or accessories
- Pay close attention to children while the system is being used
- Do not allow children to use the system as a toy

WARNING
IMPROPER USE MAY CAUSE FIRE,
ELECTRIC SHOCK OR INJURY

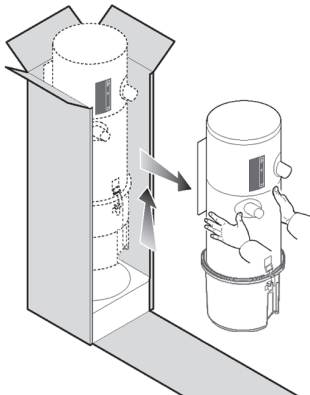
Introduction

Use of the manual

The instruction manual for use and maintenance is an integral and essential part of the vacuum power unit and must be handed over to the user. It must be kept in a safe place and consulted carefully as all of the warnings provide important instructions for safety in the phases of installation, use and maintenance.

Responsibility

The vacuum power unit must be used only for the purpose for which it has been designed. Any other use is considered improper use and is therefore dangerous. The manufacturer accepts no contractual or extra-contractual liability for damage arising from a wrong installation or operation or from the non-compliance with the manufacturer's instructions.



Warranty

Your Valet central vacuum system has been engineered for a long, trouble-free service life.

The warranty period on parts only, excluding labour, is FIVE YEARS plus ONE YEAR extra when you register your warranty online.

This voluntary warranty is for reasonable domestic use only and excludes operation in commercial environments.

Remember, your warranty does not cover abuse or misuse of the equipment.

Register your warranty online at www.valet.com.au

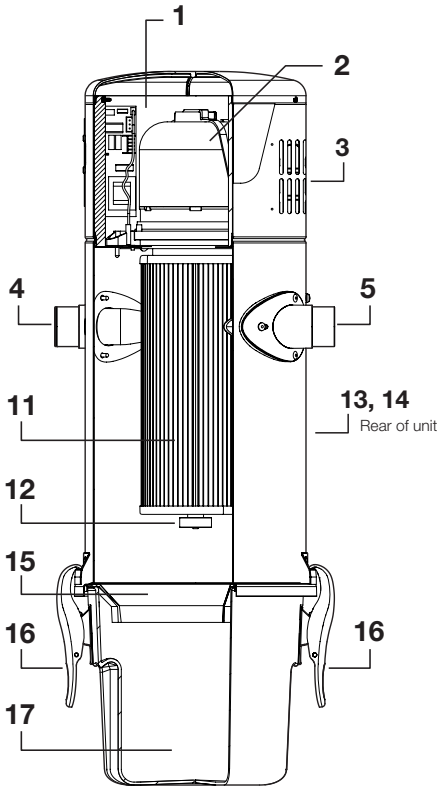
HANDLING & UNPACKING

Do not remove the unit from the packaging until installation to prevent accidental damage.

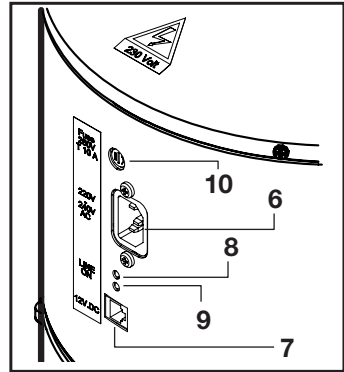
Use suitable handling equipment.

Check that the product is not damaged and the standard parts are contained in the dust container.

Power Unit Components



V110 shown



- 1 Sound-proofed motor chamber
- 2 Electric motor
- 3 Exhaust
- 4 Dual right/left dust inlet
- 5 Dual right/left dust inlet
- 6 Mains socket
- 7 Low voltage switch input
- 8 Top LED On: Mains on
- 9 Bottom LED On: Unit running

- 10 Fuse
- 11 Filter cartridge
- 12 Fixing Knob
- 13 Mounting bracket
- 14 Lock lever (on the mounting bracket)
- 15 Dust Cone
- 16 Dust container locks
- 17 Dust container

Installing the Power Unit

Positioning

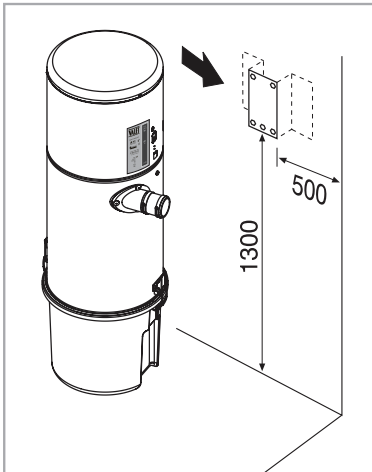
The power unit should be installed in service rooms such as a store-room or garage and protected against weather, humidity and sudden changes of temperature.

The power unit is not designed for outdoor use unless suitably protected.

The installation place shall be sufficiently spacious and well lit to allow for an easy access to the vacuum unit.

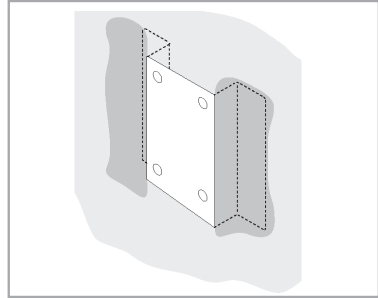
When installed indoors or in a semi-enclosed area ensure the space is properly ventilated.

The power unit must be fixed to the wall at a height that allows for an easy dismantling of the dust container and the replacement of the filter cartridge.



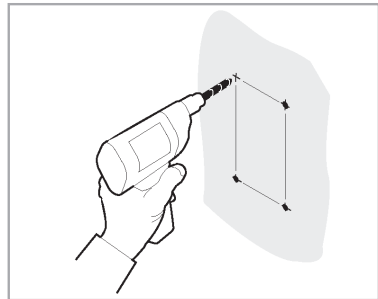
V110 shown

If Using a Wall Bracket

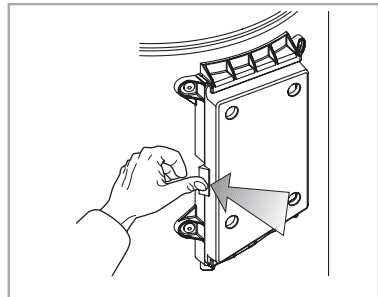


1A. Mount the bracket on the wall.

If Mounting Direct To The Wall

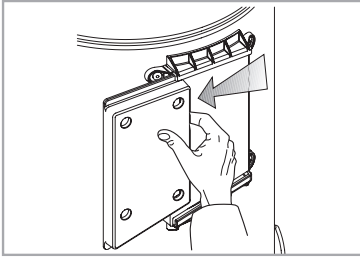


1B. Drill. Using a spirit level check that the bracket is level

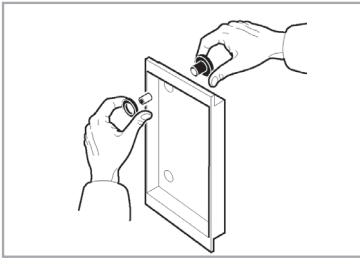


2. Release the locking lever.

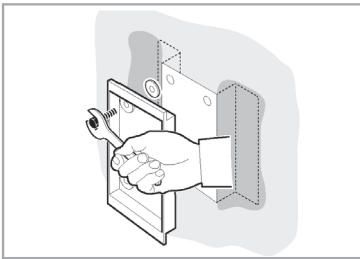
Installing the Power Unit



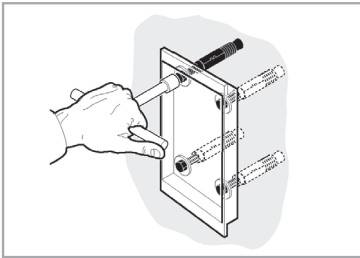
3. Remove the support from the guides.



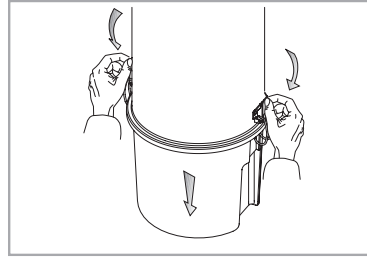
4. Fit the vibration blocks to the support.



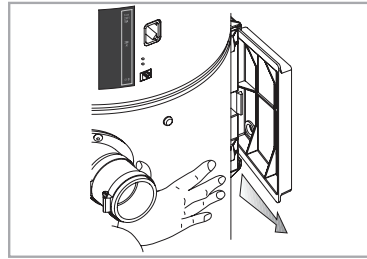
5A. If using a wall bracket. Fix the support to the wall bracket.



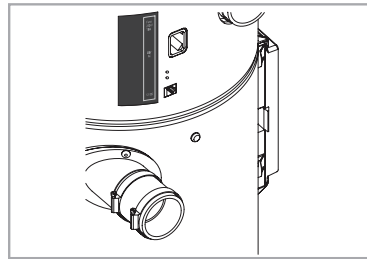
5B. If mounting directly to the wall. Screw the support to the wall.



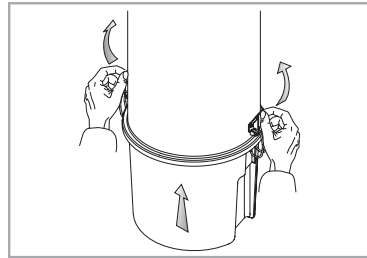
6. Remove the dust container.



7. Secure the Power Unit to the support.



8. Make sure the locking lever locks into position.

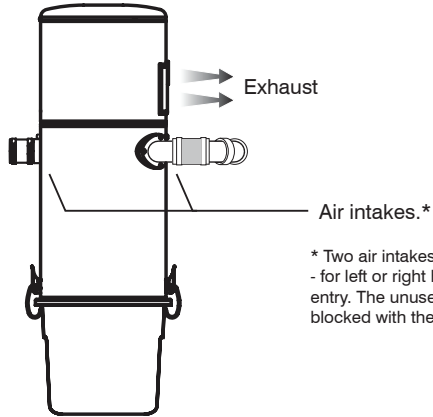


9. Attach the dust container.

Connecting the PVC Pipe

Installation with natural exhaust

Suitable for outdoor (undercover) installations.

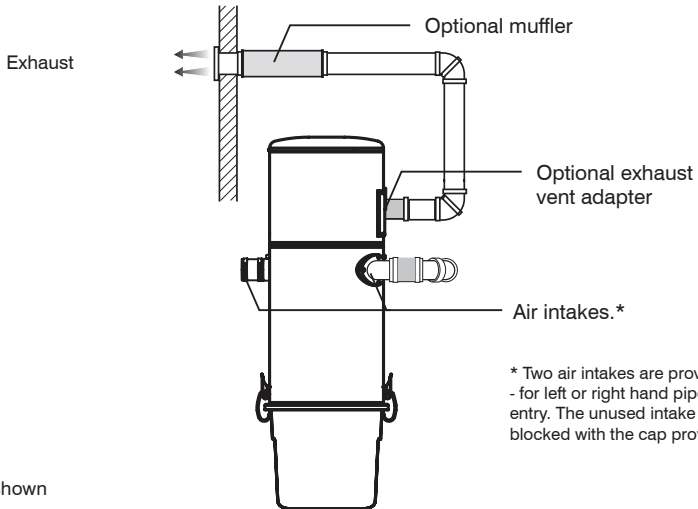


* Two air intakes are provided - for left or right hand pipe entry. The unused intake must be blocked with the cap provided.

V110 shown

Installation with optional exhaust pipe

Suitable for installation in enclosed spaces.



* Two air intakes are provided - for left or right hand pipe entry. The unused intake must be blocked with the cap provided.

V110 shown

Electrical Connections

The electrical installation of the power unit must be done by qualified electrical installers according to local regulations.

The Manufacturer accepts no liability for malfunction of the power unit or damage to persons or property attributable to an incorrect electrical connection.

Final check

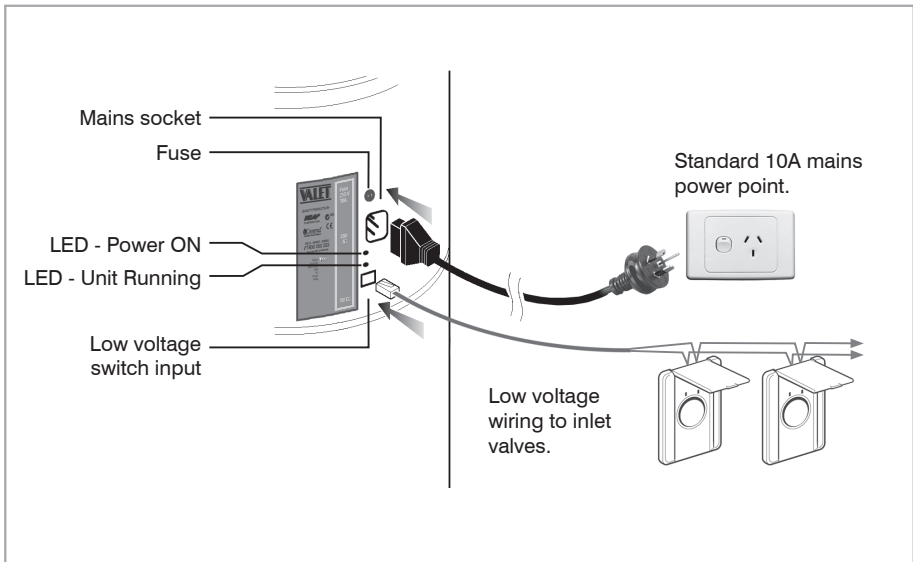
Once the power unit has been connected to the mains, check all vacuum sockets using the flexible hose.



Danger:

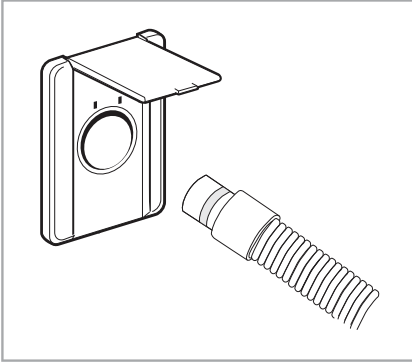
Do not touch the power unit with wet or damp hands.

Keep non-authorized people and children clear of the power unit.



Start vacuuming

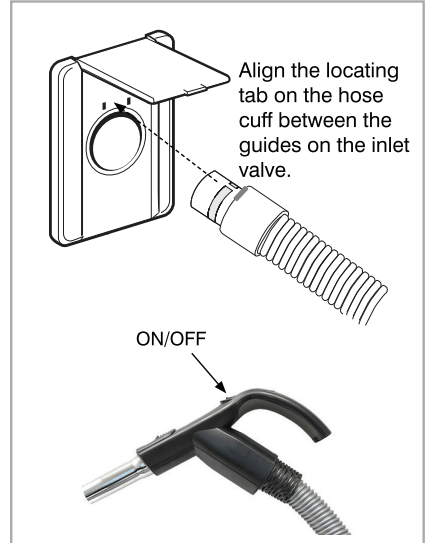
Standard Hose operation



TO START - insert the hose into one of your inlet valves.

TO STOP - remove the hose and hold the flap open for a couple a seconds until the motor stops.

Switch Hose operation



TO START - insert the hose into one of your inlet valves. Align the locating tab on the hose cuff with the two guides on the inlet valve.

If the hose is inserted correctly the power unit will not start until you turn it on using the switch on the hose handle.

TO STOP - turn off using the switch on the hose handle then unplug the hose from the inlet valve.

Emptying the dust container



Before any maintenance job, turn off the mains power at the power point.

Regular maintenance increases the life span of the power unit and ensures maximum performance.



Regularly check the system for leaks or blockages.

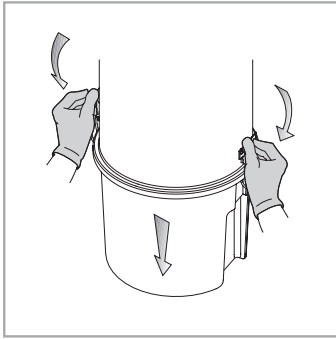
Do not operate the power unit



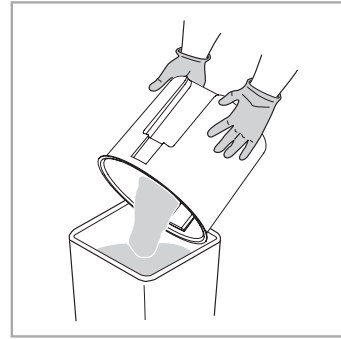
without a filter cartridge. Not observing this precaution may result in serious damage to the motor and will void the manufacturer's warranty.



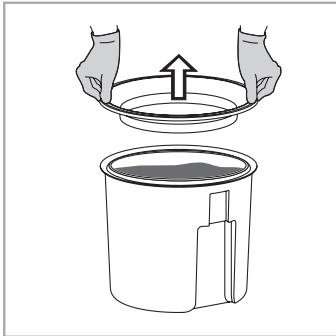
Please wear a dust mask and gloves



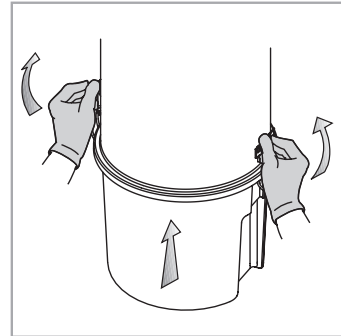
1. Remove the dust container.



3. Empty the dust container.



2. Lift out the Dust Cone.



4. Replace the cone ensuring it is pointing downwards and reassemble the dust container paying attention to the seal position.

Cleaning the filter cartridge



Please wear a dust mask and gloves



Do not operate the power unit without a filter cartridge. Not observing this precaution may result in serious damage to the motor.



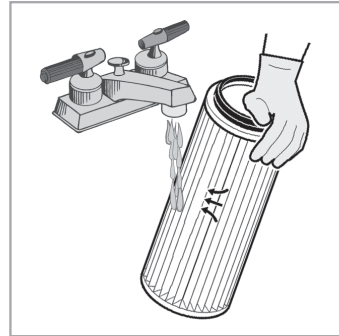
Use only genuine Valet spare parts.

If the central vacuum system is used regularly, check the filter cartridge at least every 4 months.

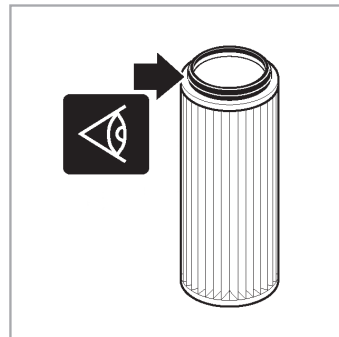
- Remove the filter cartridge and wash it with tap water. During washing pay attention not to damage the filter material.

If the filter is damaged during cleaning the cartridge must be replaced.

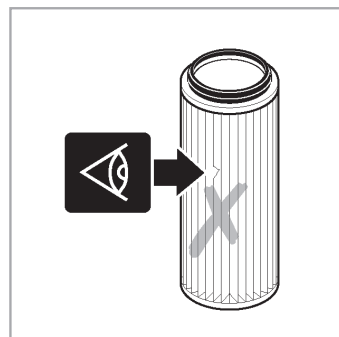
- After washing, allow the cartridge to dry. Do not expose it to strong heat sources.



1. Wash the cartridge with tap water taking care not to damage the filter material.



2. Allow the cartridge to dry.



3. Check for damage and replace the cartridge if necessary.

Replacing the filter cartridge



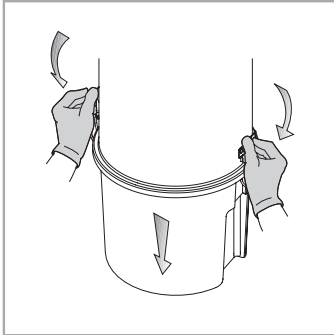
Turn off the mains power at the power point.



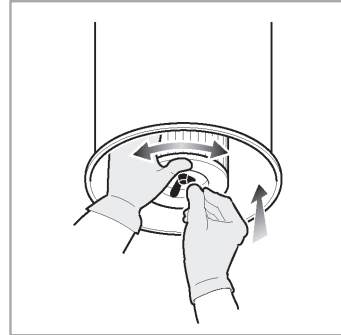
Please wear a dust mask and gloves

Replace the filter cartridge every 2-3 years.

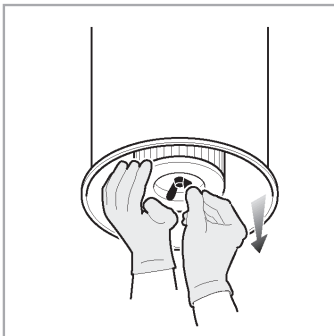
This interval is variable depending on how often your central vacuum system is used.



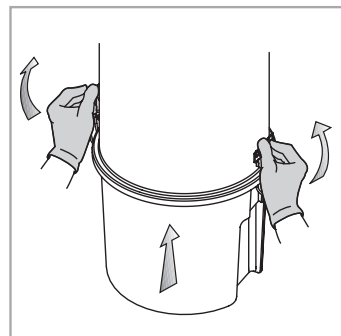
1. Remove the dust container.



3. Insert the new cartridge and tighten the retaining nut by turning the cartridge until it fits snugly in place.



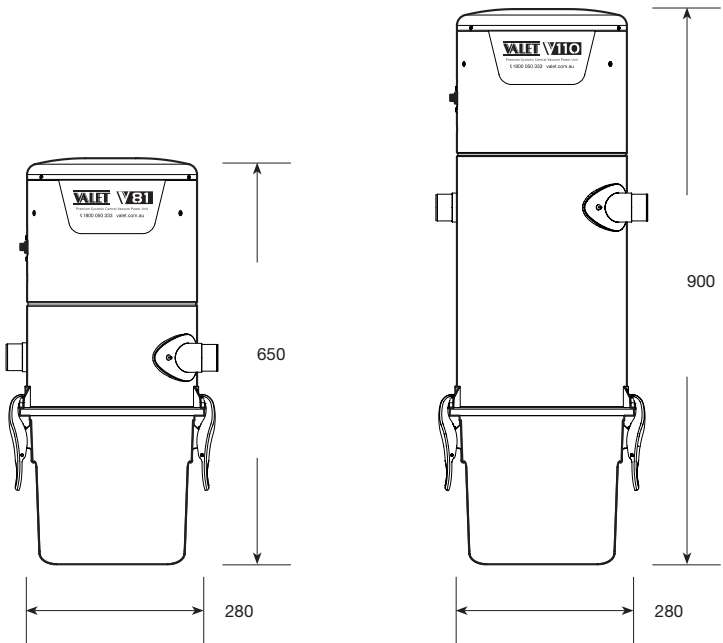
2. Loosen the retaining nut and remove the old cartridge.



4. Replace the cone ensuring it is pointing downwards and reassemble the dust container paying attention to the seal position.

Technical

Specifications		V81	V110
Voltage		220~240 VAC	
Motor power		1260 Watts	1650 Watts
Motor revolutions		43,507 RPM	46,480 RPM
Turbine stages		1	
Vacuum socket voltage		12 V	
Air flow		121 CFM	115 CFM
Max vacuum (Water lift)		2753 mm	3192 mm
Filtering surface		4000 cm ²	8000 cm ²
Filter cartridge material		Polyester	
Dust container capacity		15 litres	
Height		650 mm	900 mm
Diameter		280 mm	
Weight		13 kg	16 kg
Construction	Body	Metal	
	Collection container	Plastic	



VALET