

# 12Vdc 10A Power Series



## MODELS :

TPS12-10DC  
TPS12-10DC-B  
TPS12-10DC-BD10  
TPS12-10DC-BD20  
TPS12-10DC-ME  
TPS12-10DC-MED10  
TPS12-10DC-MED20  
TPS12-10DC-MED40

© 2016 The contents of this manual are copyright and may not be reproduced without the written permission of Tactical Power Products Pty Ltd.

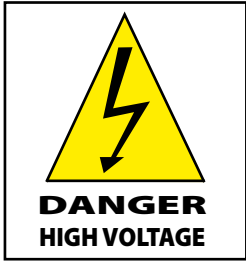
## ENGINEERED FOR CCTV



DESIGNED & MANUFACTURED

# Installation Manual

# CAUTION



Dangerous internal voltages exceeding 400 Volts - DO NOT REMOVE COVERS !

Equipment must be installed & serviced by suitably qualified service personnel in a restricted access area.

*Dangerous Voltages Inside !*

*Do not remove covers*

*No user serviceable parts inside*

## General

These power supplies are designed for **indoor use only**.



TPS12-10DC models are high performance, extremely low noise, Dual Channel Switch Mode power supplies offering 12Vdc at 10A continuous.

When operating from mains, these models provide an output of 12Vdc ( to power connected equipment) and are configured with a separate 13.8Vdc battery charging channel. Available battery charge current is 1.4A @ 13.8Vdc (total supply output current 11.4A )

In the event of mains failure, battery voltage is clamped to 12Vdc and instantaneously powers the load - this is particularly useful for powering voltage sensitive loads such as CCTV cameras.. When the mains voltage is restored, batteries are disconnected from the load and recharging commences automatically.

Output short-circuit and overload protection are provided . Removal of the fault / short circuit condition will return the power supply to normal operation ( Auto-Reset ).

## Model Variants

<b>TPS12-10DC</b>	Single 10A Output - Supply only - no cabinet ( 273L x 145W x 80H )
<b>TPS12-10DC-B</b>	Single 10A Output - Medium steel enclosure ( 340W x 436H x 145D mm )
<b>TPS12-10DC-BD10</b>	10 x 1A Outputs - Medium steel enclosure ( 340W x 436H x 145D mm )
<b>TPS12-10DC-BD20</b>	20 x 500mA Outputs - Medium steel enclosure ( 340W x 436H x 145D mm )
<b>TPS12-10DC-ME</b>	Single 10A Output - Large steel enclosure ( 482W x 470H x 185D mm )
<b>TPS12-10DC-MED10</b>	10 x 1A Outputs - Large steel enclosure ( 482W x 470H x 185D mm )
<b>TPS12-10DC-MED20</b>	20 x 500mA Outputs - Large steel enclosure ( 482W x 470H x 185D mm )
<b>TPS12-10DC-MED40</b>	40 x 250mA Outputs - Large steel enclosure ( 482W x 470H x 185D mm )

## Connection

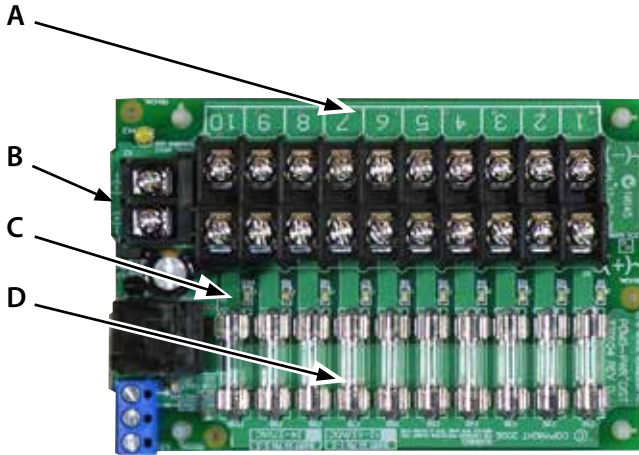
<p>10-way removable terminal block provides the following: ( See over the page for a layout )</p> <ul style="list-style-type: none"> <li>* 12Vdc Output</li> <li>* 13.8Vdc Output for SLA (Sealed Lead Acid) Batteries</li> <li>* Battery Test load (not used on this model)</li> <li>* AC OK Relay Output ( SPST )</li> <li>* Battery Fault/Low Battery Relay Output ( SPST )</li> </ul>	<p>12Vdc Output is via individually fused outputs ( 10, 20 or 40 )</p> <p>10-way removable terminal block provides the following: ( See over the page for a layout )</p> <ul style="list-style-type: none"> <li>* 13.8Vdc Output for SLA (Sealed Lead Acid) Batteries</li> <li>* Battery Test load (not used on this model)</li> <li>* AC OK Relay Output ( SPST )</li> <li>* Battery Fault/Low Battery Relay Output ( SPST )</li> </ul>
---	--

### Caution when handling batteries:

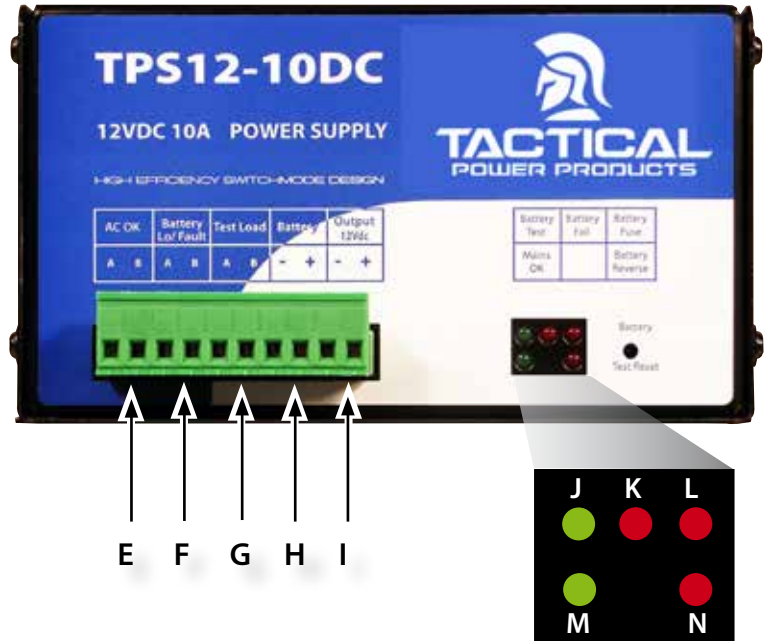
Exercise care when terminating and connecting batteries. Mishandling or short circuit of SLA batteries can cause severe damage and fire.

# LAYOUT

Multi-Output Models  
(e.g. TPS12-10DC-BD10)



TPS12-10DC Module Face



<b>A</b>	Output Terminals ( Multi Output models only )	<b>B</b>	PDM Input ( Multi Output models only ) - " 1 " below
<b>C</b>	Individual Circuit Status LEDs ( Multi Output Models )	<b>D</b>	Individual Circuit Fuses ( Multi Output models only )
<b>E</b>	AC Mains OK Output ( COM / NC )	<b>F</b>	Battery Low / Fault Output ( COM / NC )
<b>G</b>	Not used in this model	<b>H</b>	- Battery + (Connect Sealed Lead Acid Battery)
<b>I</b>	- Output 12Vdc + ( Connect to load or PDM )	<b>J</b>	Not used in this model
<b>K</b>	Battery Test Fail LED ( Red ON = Fail )	<b>L</b>	Battery Fuse Fail LED ( Red ON = Fail )
<b>M</b>	AC Mains OK LED ( Green ON = OK )	<b>N</b>	Reverse Battery LED ( Red ON = Fail )
<b>O</b>	240V IEC Mains Socket	<b>P</b>	Compliance / Date of Manufacture Label



DESIGNED & MANUFACTURED



# 12Vdc 10A Series

POWERING  
YOUR VISION<sup>®</sup>

## Specifications :

(In the interests of product improvement, Tactical reserves the right to change specifications without notice)

	10DC	10DC-B	10DC-BD10	10DC-BD20	10DC-ME	10DC-MED10	10DC-MED20	10DC-MED40
Output Voltage	12 Vdc							
Output Current	10A Continuous							
Output Channels	1	1	10	20	1	10	20	40
Output per Channel	10A	10A	1A	500mA	10A	1A	500mA	250mA
Input Voltage	240 V ac ( +6% / -10% ) 50Hz							
Input Current	1.4A @ full load							
Input In-Rush Current	<20A ( 25 <sup>0</sup> C cold start up )							
Battery Charger	13.8Vdc / 1.4A							
Low Battery Indicator	1 x SPST relay & Red LED							
AC Input Indicator	1 x SPST Relay & Green LED							
Weight	<2Kg	<5Kg	<5Kg	<5Kg	<12Kg	<12Kg	<12Kg	<12Kg
Dimensions	273L x 145W x 80H	340W x 436H x 145D mm			482W x 470H x 185D mm			
Efficiency	83% at rated load							
Overload Protection	Constant current limiting, short circuit shutdown, auto recovery							
Load Regulation	< 1% from open to full load							
Line Regulation	< 0.2%							
Output Ripple	25mV p-p @ full load							
Working Temperature	0 - 50 <sup>0</sup> C							
Revision								
Safety Standards	AS NZS 60950:2003							
EMC Standards	AS/NZS CISPR 11:2004 ( Class B Conducted and Radiated )							



www.tacpower.com.

Securing Your Power Needs<sup>®</sup>  
Now and into the Future . . .



Designed & Manufactured

Tel: 1300-822-769

PO Box 90 Kurrajong NSW 2758

sales@tacpower.com.au