



EN 50131-1  
EN 50131-2-2  
EN 50130-4  
EN 50130-5  
CEB T031

qtech



100-235



# QIR100H

Indoor passive infrared detector for intrusion alarm systems

---

Installation and programming manual

---

## Table of contents

1. Qtech detectors	3
1.1 Functioning of the QIR100H detector	3
1.2 Main features	3
1.3 Description of parts	4
1.3.1 Terminal board	5
1.3.2 LED signalings	5
1.4 Technical specifications	5
2. Installation	6
2.1 Warnings	7
2.2 Coverage	7
2.3 Balancing	9
2.3.1 N.C./N.O.	9
2.3.2 Single balancing	10
2.3.3 Double balancing	10
2.3.4 Double zone balancing	10
2.3.5 Double zone balancing with EOL	11
3. Programming	12
3.1 Programming from QIR100H	12
3.2 Programming menu	13
4. General information	14
4.1 About this manual	14
4.2 Manufacturer's details	14
4.3 Warranty	14
4.4 Limited warranty	15
4.5 Documents for the users	15
4.6 Disposal of the product	15

## 1. Qtech detectors

The Qtech series of detectors to be applied in indoor installations.

By means of the amplification, filtering and digital analysis of the signals detected by their sensors, these devices are capable of detecting motion in the area they watch over with appropriately programmable sensitivity, immunity to false alarms and adequate protection against tamper.

The Qtech detector series also provides 'pet immune' versions dedicated to applications that must not generate alarms in the presence of animals of up to 25 kg.

### 1.1 Functioning of the QIR100H detector

When power is supplied, the red LED blinks 3 times then the yellow LED lights up and the detector goes into the self-calibration phase. Within 60 seconds the detector enters operational status and the yellow LED turns off. During the 60 second self-calibration phase, the partition monitored by the detector must be in stand-by status, free from obstacles and people moving about.

The alarm output ('ALARM' terminal) activates and the red LED lights up when the detector senses the movement of a body whose temperature is different from the ambient temperature.

The tamper output ('TAMPER' terminals) activates when the lid is opened.

Ambient temperature can affect infrared sensing capability. The installer can adjust the sensitivity of the detectors through programming.

Changing the sensitivity of the sensors does not always reduce the range, but it does reduce the ability to detect small changes in heat/temperature.

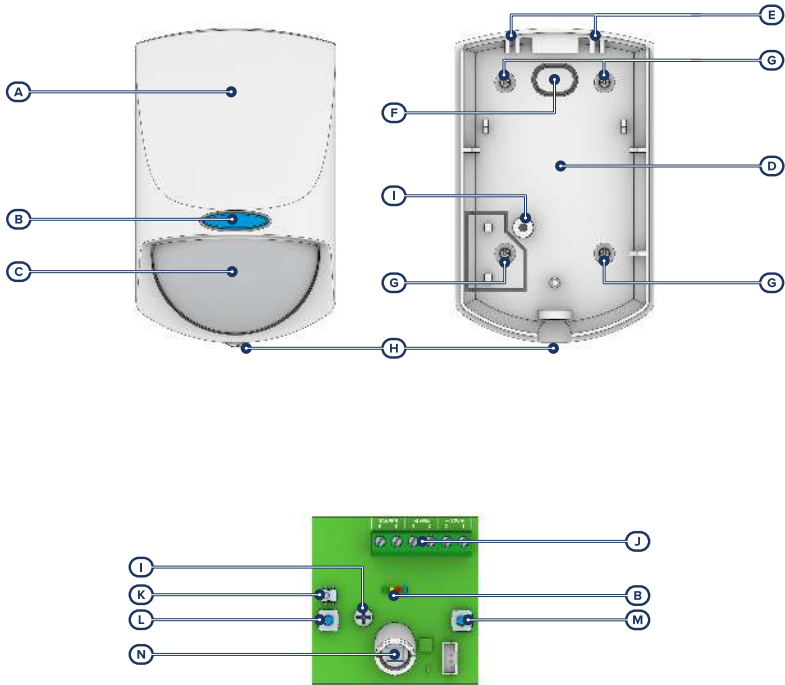
#### **Tamper protection**

The detector is protected against sabotage due to opening the lid.

### 1.2 Main features

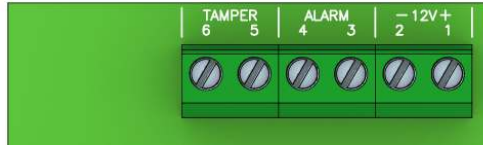
- Digital signal analysis
- Coverage 15m
- Detection angle 90°
- Pulse counter
- Temperature compensation
- Signalling LED
- Signals from bypassable LEDs
- Anti-opening protection
- Adjustable sensor sensitivity

### 1.3 Description of parts



[A]	Cover	[J]	Terminal board
[B]	Signalling LED	[K]	Anti-opening tamper
[C]	Lens	[L]	Button P1
[D]	Base	[M]	Button P2
[E]	Cover retainer locations	[N]	PIR sensor (infrared)
[F]	Cable entry		
[G]	Mounting screw locations		
[H]	Cover securing screws		
[I]	PCB securing screws		

### 1.3.1 Terminal board



<b>+12V</b>	1	Positive power supply
<b>-12V</b>	2	Negative power supply
<b>ALARM</b>	3 - 4	Alarm signal (N.C. during stand-by)
<b>TAMPER</b>	5 - 6	Tamper signal output terminals (N.C. during stand-by)

### 1.3.2 LED signalings

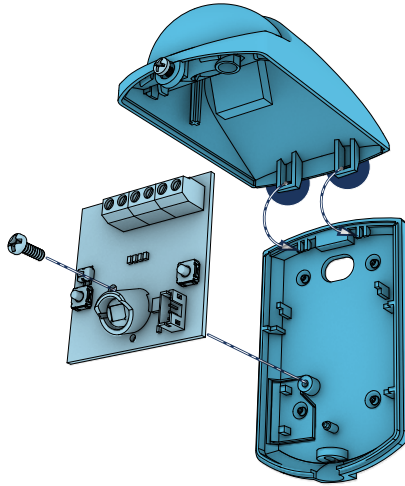
Red LED	Alarm signal
Yellow LED	Initialization

## 1.4 Technical specifications

#### Power supply voltage

<b>Input voltage</b>	range: from 10 to 16 V <b>***</b> nominal: 12.6 V <b>***</b>
<b>Stand-by current draw</b>	11mA @ 12.6V
<b>Maximum current draw</b>	13mA @ 12.6V
<b>Detectors type</b>	digital dual PIR
<b>Detection mode</b>	Infrared emission
<b>Alarm pulses</b>	from 1 to 2
<b>Intrusion alarm output</b>	N.C., 16V <b>***</b> , 100 mA max
<b>Tamper output</b>	N.C., 16V <b>***</b> , 100 mA max
<b>Signal minimum duration</b>	1 o 3 seconds
<b>Detection range (max)</b>	15 m
<b>Detection angle</b>	90°
<b>Security grade</b>	2
<b>Environmental class</b>	II
<b>Installation method</b>	wall-mounting
<b>Installation height</b>	2.2m
<b>Dimensions (HxWxD)</b>	96 x 60 x 44 mm
<b>Weight</b>	62 g
<b>Environmental operating conditions</b>	
<b>Temperature</b>	from -10 to +40 °C
<b>Relative humidity</b>	≤93% without condensation

## 2. Installation



1. Choose a suitable mounting placement.
2. Loosen the front cover securing screw and open the cover by spreading the two surfaces apart from the side of the securing screw.
3. Open the holes for the securing screws, open the cable glands and insert the cables.
4. Hold the base to the chosen mounting placement and mark the screw holes position.
5. Using the screws, secure the base in position.
6. Complete the connections on the terminal board.
7. If necessary, carry out the programming using the buttons on the PCB.
8. Re-attach the cover to the base and replace the securing screw.

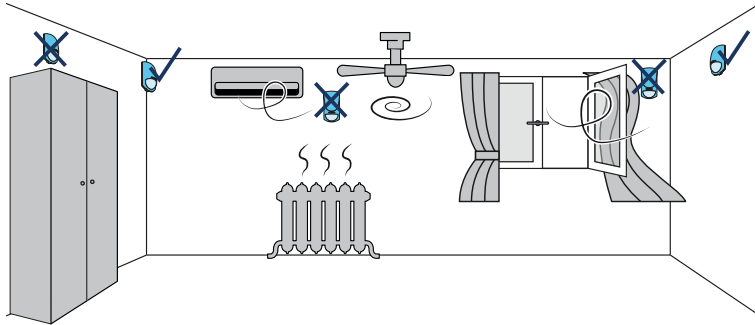
---

### Note

*When using the optional XBK100 swivel, the function that allows detection of removal from the mounting surface (anti-dislodgement) is void.*

---

## 2.1 Warnings



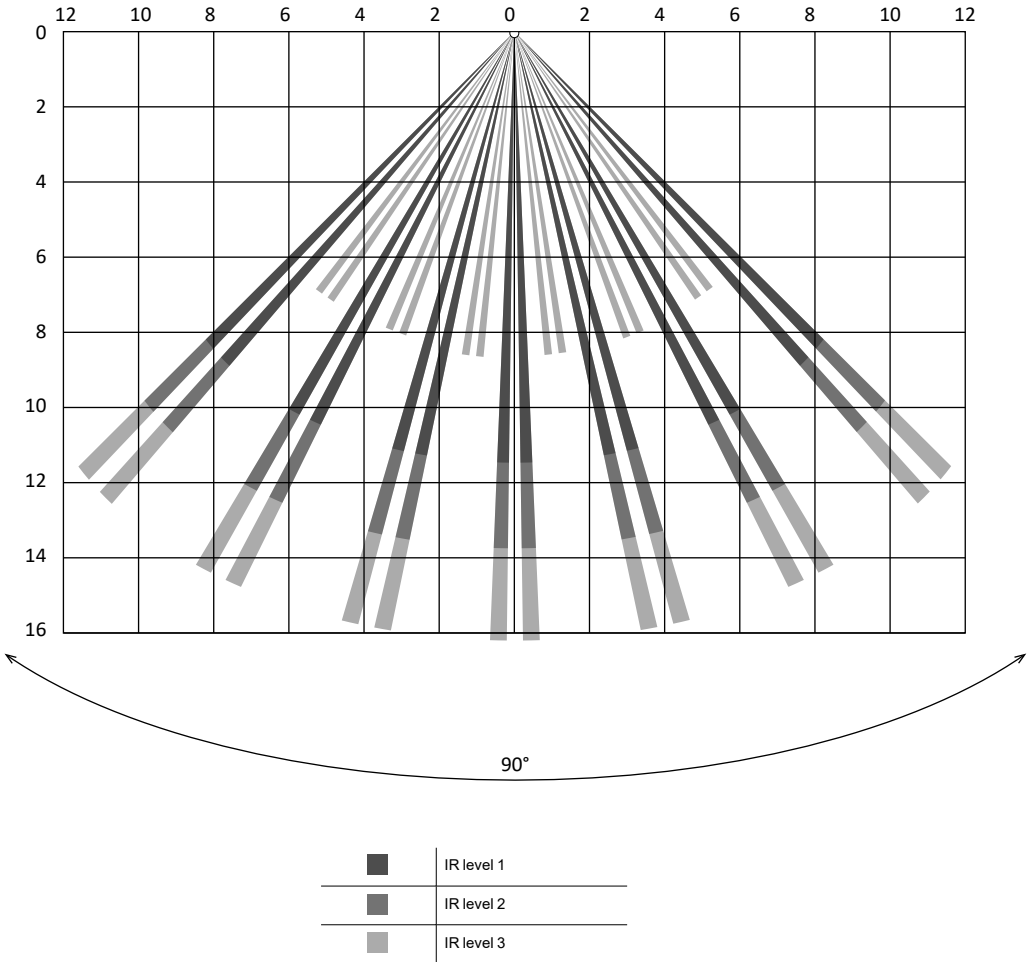
- During the installation phases, pay the utmost attention in order to avoid drilling into water pipes, gas pipes, electrical ducts, etc.
- Avoid installing the detector in the vicinity of the following sources of interference: reflective surfaces, direct air flow, air-conditioning systems, windows, sources of steam, oil fumes, infrared sources, power lines, neon lamps and objects that can cause temperature changes such as stoves, refrigerators and ovens.
- Do not install the detector in locations where there is risk of rapid temperature changes.
- Do not blind the field of detection of the sensor, even partially.
- The detector should be mounted with the alarm-LED strip above the lens and not vice versa.
- Do not touch the electronic components as this may damage the circuits and reduce the reliability of the detector. If necessary, clean the detector with a soft cloth only.
- This detector must be installed in compliance with the laws and standards in force.
- The device should be tested on a regular basis.

## 2.2 Coverage

This paragraph shows the projections on a horizontal plane and on a vertical one of the range of the device sensors.

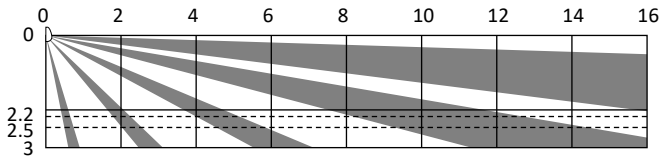
The measurements shown are in metres.

Top view





## Side view



## 2.3 Balancing

The alarm signals and tamper (on the line, forced opening or removal of the device) must be signaled to the control panel through the connections with the available terminals.

In addition to this, the alarm and line tamper signals can be communicated with the use of appropriate balancing, in order to be able to use a single control panel input (in the graphs below, indicated by 'Tx').

The wiring and respective balancing method depend on the type of detector you are installing, and the level of protection you wish to achieve.

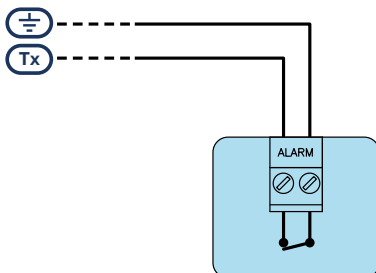
The detectors can be powered through:

- terminals [+AUX/12V] and [-/GND] on the control panel
- terminals [+AUX/12V] and [-/GND] on expansions
- terminal [+12V] and terminals [-/GND] on keypads
- from any 12V ancillary source on condition that its GND reference is in common with that of the control panel.

### 2.3.1 N.C./N.O.

In the case of N.C. (normally closed) balancing, it is possible to detect 2 distinct conditions on the zone:

- stand-by (0 Ohm)
- alarm (open circuit)

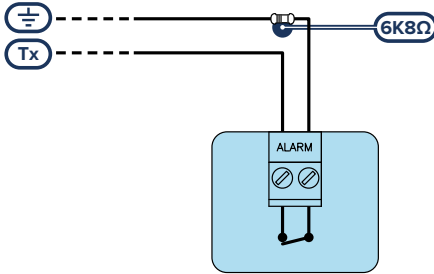


If you want the detector to signal tamper events, it is necessary to connect the 'Tamper' terminal to a '24h' zone on the control panel.

### 2.3.2 Single balancing

Single zones can discriminate 3 conditions on the entire terminal:

- stand-by
- alarm
- tamper (short-circuit)

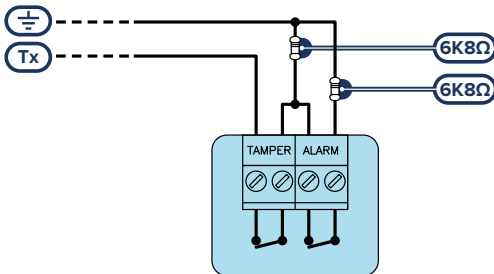


If you want the detector to signal tamper events, it is necessary to connect the 'Tamper' terminal to a '24h' zone on the control panel.

### 2.3.3 Double balancing

Double balancing discriminates 4 distinct conditions on the zone terminal:

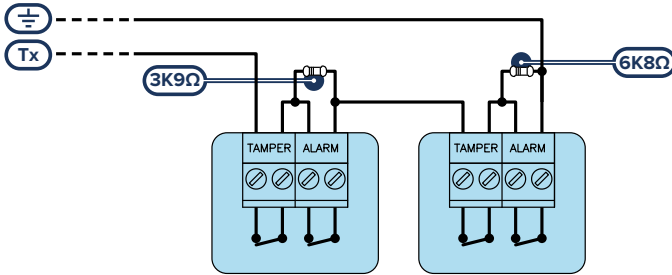
- stand-by
- alarm
- tamper (short-circuit)
- tamper (wire cutting)



### 2.3.4 Double zone balancing

Double zones without EOL resistor can discriminate 5 conditions on the entire terminal:

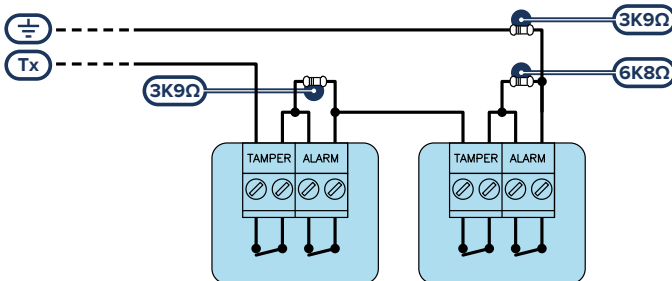
- stand-by on both zones
- alarm on zone 1 and standby on zone 2
- alarm on zone 2 and standby on zone 1
- alarm on both zones
- tamper (wire cutting)



### 2.3.5 Double zone balancing with EOL

Double zones with EOL resistors can discriminate 6 conditions on the entire terminal:

- stand-by on both zones
- alarm on zone 1 and standby on zone 2
- alarm on zone 2 and stand-by on zone 1
- alarm on both zones
- tamper (wire cutting)
- tamper (short-circuit)



## 3. Programming

The operating parameters of the detectors and the adjustments of the sensitivity of the Qtech sensors can be programmed by means of the buttons and LEDs available on the PCB, through their own programming menu.

### 3.1 Programming from QIR100H

To change the programming of parameters, the QIR100H detector has a programming menu indicated by the blinking on its corresponding LEDs. Within this menu, you can navigate using the 'P1' and 'P2' buttons.

The P1 button allows you to enter and exit the programming menu and to scroll through the menu options. The P2 button can be used to change the parameters relating to the selected option.

The 4 LEDs indicate:

- selection of the parameter, when they are ON solid
  - the value of the parameter, when they are flashing
1. Remove the cover.
  2. Power up the detector.
  3. Press and hold the P1 button for 5 seconds until all the LEDs start blinking. When the button is released, the menu will have the first option active.
  4. Use the P1 button to move to the different options on the menu (*see*). The LED combination (the LEDs which blink) identifies the option concerned.
  5. By pressing the P2 button it is possible to view the current setting of the parameter and with subsequent presses the parameter can be changed until the desired setting is obtained.
  6. It is possible to change the menu option by pressing the P1 button again until the desired parameter is reached.
  7. To exit programming without saving changes, wait 30 seconds without pressing any button or disconnect the power supply.  
To exit programming and confirm all changes, press and hold the P1 button for 5 seconds, until the LEDs blink quickly.
  8. Close the casing and complete the installation procedure.

#### Default

Reset of programming is achieved with the device powered up and by holding down buttons P1 and P2 simultaneously for 10 seconds.

This leads to the sequential lighting (one every 2 seconds) of all 4 LEDs. When all the LEDs are on, the buttons can be released and in this way reset all programming menus to factory data settings.

## 3.2 Programming menu

In the table below, the 'Menu' column indicates the combination of LEDs that identify the parameter and the 'Parameter' column indicates the function/parameter on the menu.

The 'Options' column shows the value of the programmable settings for each parameter

The boxes with a grey background indicate the values of the factory parameters/functions.

Menu (P1 button)					Options (P2 button)											
Green	Yellow	Red	Blue	Option	Level 1				Level 2				Level 3			
<input type="radio"/>	<input type="radio"/>	<input checked="" type="radio"/>	<input checked="" type="radio"/>	Infrared Sensitivity	<input type="radio"/>	<input type="radio"/>	<input type="radio"/>	<input checked="" type="radio"/>	<input type="radio"/>	<input type="radio"/>	<input checked="" type="radio"/>	<input checked="" type="radio"/>	<input type="radio"/>	<input checked="" type="radio"/>	<input checked="" type="radio"/>	<input checked="" type="radio"/>
<input checked="" type="radio"/>	<input checked="" type="radio"/>	<input checked="" type="radio"/>	<input type="radio"/>	LEDs	<input checked="" type="radio"/>	<input checked="" type="radio"/>	<input type="radio"/>	<input type="radio"/>	<input type="radio"/>	<input type="radio"/>	<input checked="" type="radio"/>	<input checked="" type="radio"/>	<input type="radio"/>	<input checked="" type="radio"/>	<input checked="" type="radio"/>	<input checked="" type="radio"/>
<input checked="" type="radio"/>	<input type="radio"/>	<input type="radio"/>	<input type="radio"/>	Alarm pulses	<input checked="" type="radio"/>	<input checked="" type="radio"/>	<input type="radio"/>	<input type="radio"/>	<input type="radio"/>	<input type="radio"/>	<input checked="" type="radio"/>	<input checked="" type="radio"/>	<input type="radio"/>	<input checked="" type="radio"/>	<input checked="" type="radio"/>	<input checked="" type="radio"/>
<input checked="" type="radio"/>	<input type="radio"/>	<input type="radio"/>	<input checked="" type="radio"/>	Signal minimum duration	<input checked="" type="radio"/>	<input checked="" type="radio"/>	<input type="radio"/>	<input type="radio"/>	<input type="radio"/>	<input type="radio"/>	<input checked="" type="radio"/>	<input checked="" type="radio"/>	<input type="radio"/>	<input checked="" type="radio"/>	<input checked="" type="radio"/>	<input checked="" type="radio"/>

<input type="radio"/>	LED Off
<input checked="" type="radio"/>	LED On solid
<input type="radio"/>	Flashing LED
<b>grey</b>	Option at default

## 4. General information

### 4.1 About this manual

**Manual code:** DCMIINEOQIR100H

**Revision:** 100

**Copyright:** The information contained in this document is the sole property of Inim Electronics S.r.l.. Copying, reprinting or modification of this document, in part or as a whole, is not permitted without prior authorization in writing from Inim Electronics S.r.l.. All rights reserved.

### 4.2 Manufacturer's details

**Manufacturer:** Inim Electronics S.r.l.

**Production plant:** Centobuchi, via Dei Lavoratori 10

63076 Monteprandone (AP), Italy

**Tel.:** +39 0735 705007

**Fax:** +39 0735 734912

**E-mail** [info@inim.biz](mailto:info@inim.biz)

**Web:** [www.inim.biz](http://www.inim.biz)

The persons authorized by the manufacturer to repair or replace the parts of this system have authorization to work only on devices marketed under the brand Inim Electronics.

### 4.3 Warranty

Inim Electronics S.r.l.. (Seller, Our, Us) warrants the original purchaser that this product shall be free from defects in materials and workmanship under normal use for a period of 24 months.

As Inim Electronics does not install this product directly, and due to the possibility that it may be used with other equipment not approved by Us; Inim Electronics does not warrant against loss of quality, degradation of performance of this product or actual damage that results from the use of products, parts or other replaceable items (such as consumables) that are neither made nor recommended by Inim Electronics. Seller obligation and liability under this warranty is expressly limited to repairing or replacing, at Seller's option, any product not meeting the specifications. In no event shall Inim Electronics be liable to the purchaser or any other person for any loss or damage whether direct or indirect or consequential or incidental, including without limitation, any damages for lost profits, stolen goods, or claims by any other party caused by defective products or otherwise arising from the incorrect or otherwise improper installation or use of this product.

This warranty applies only to defects in parts and workmanship relating to normal use. It does not cover damage arising from improper maintenance or negligence, damage caused by fire, flood, wind or lightning, vandalism, fair wear and tear.

Inim Electronics S.r.l. shall, at its option, repair or replace any defective products. Improper use, that is, use for purposes other than those mentioned in this manual will void the warranty. Contact Our authorized dealer, or visit our website for further information regarding this warranty.

## 4.4 Limited warranty

Inim Electronics S.r.l. shall not be liable to the purchaser or any other person for damage arising from improper storage, handling or use of this product.

Installation of this Product must be carried out by qualified persons appointed by Inim Electronics. Installation of this Product must be carried out in accordance with Our instructions in the product manual.

## 4.5 Documents for the users

Declarations of Performance, Declarations of Conformity and Certificates concerning to Inim Electronics S.r.l. products may be downloaded free of charge from the web address [www.inim.biz](http://www.inim.biz), getting access to Extended Access and then selecting "Certifications" or requested to the e-mail address [info@inim.biz](mailto:info@inim.biz) or requested by ordinary mail to the address shown in this document.

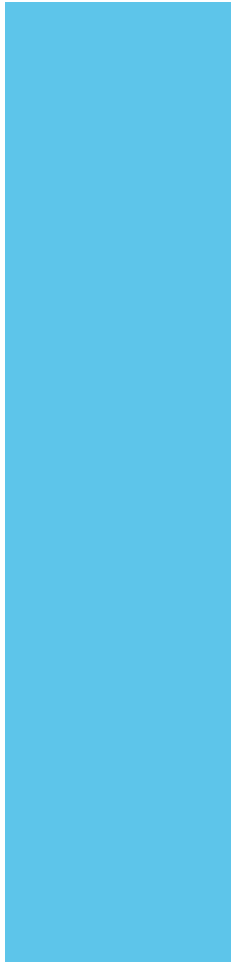
Manuals may be downloaded free of charge from the web address [www.inim.biz](http://www.inim.biz), getting access to the reserved area, after the login, and then to the section of each product.

## 4.6 Disposal of the product



### **Informative notice regarding the disposal of electrical and electronic equipment (applicable in countries with differentiated waste collection systems)**

The crossed-out bin symbol on the equipment or on its packaging indicates that the product must be disposed of correctly at the end of its working life and should never be disposed of together with general household waste. The user, therefore, must take the equipment that has reached the end of its working life to the appropriate civic amenities site designated to the differentiated collection of electrical and electronic waste. As an alternative to the autonomous-management of electrical and electronic waste, you can hand over the equipment you wish to dispose of to a dealer when purchasing new equipment of the same type. You are also entitled to convey for disposal small electronic-waste products with dimensions of less than 25cm to the premises of electronic retail outlets with sales areas of at least 400m<sup>2</sup>, free of charge and without any obligation to buy. Appropriate differentiated waste collection for the subsequent recycling of the discarded equipment, its treatment and its environmentally compatible disposal helps to avoid possible negative effects on the environment and on health and favours the re-use and/or recycling of the materials it is made of.



## ORDERING INFORMATION

---

100-235

XIR200H XLINE SERIES 15 METRE PIR DETECTOR



Innovative Electronic Solutions  
[www.ness.com.au](http://www.ness.com.au)



**NSW** Ph 02 8825 9222  
[sales@ness.com.au](mailto:sales@ness.com.au)

**VIC** Ph 03 9875 6400  
[nessmelb@ness.com.au](mailto:nessmelb@ness.com.au)

**QLD** Ph 07 3399 4910  
[nessbris@ness.com.au](mailto:nessbris@ness.com.au)

**WA** Ph 08 9328 2511  
[nessper@ness.com.au](mailto:nessper@ness.com.au)

**SA** Ph 08 8152 0000  
[adelaide@ness.com.au](mailto:adelaide@ness.com.au)