

DS-PM1-I802-H
Input Module
User Manual

EN 50131-1:2006+A1:2009+A2:2017
EN 50131-5-3:2017
EN 50131-3:2009
Security Grade 2
Environment Class II

ENGLISH

1 Component

- Indicator**
- Slowly flashing light green: Waiting for enrollment
 - Solid green: Enrolled
 - Quickly flashing orange: Alarm
 - Green and orange flashing alternately: Enrolling
 - Solid orange: Enrolling failed/Fault (Disconnected)
 - Slowly flashing green: Find me mode

2 Installation

3 Wiring (EOL=End of Line)

A. Resistors for NO/NC/Single EOL/Double EOL: 1K, 2.2K, 4.7K, 5.6K, 6.8K, 8.2K

B. Triple EOL Wiring Method: Resistor of Tamper (RT): 1kΩ
Resistor of Alarm (RA): 1kΩ
Resistor of Fault/Masking (RF): 2.2kΩ

- a. Input Module
- b. Detector

Detector Status	RT	RA	RF	Circuit Resistance
Tamper	Open	Close	Close	∞
Normal	Close	Close	Close	1kΩ
Alarm	Close	Open	Close	2kΩ
Fault	Close	Close	Open	3.2kΩ
Masking	Close	Open	Open	4.2kΩ
Short Circuit	End resistance of the entire circuit is 0Ω.			

4 Address Setting

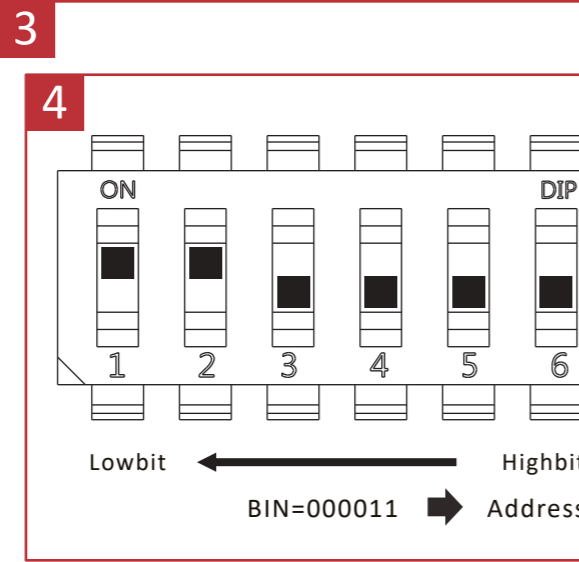
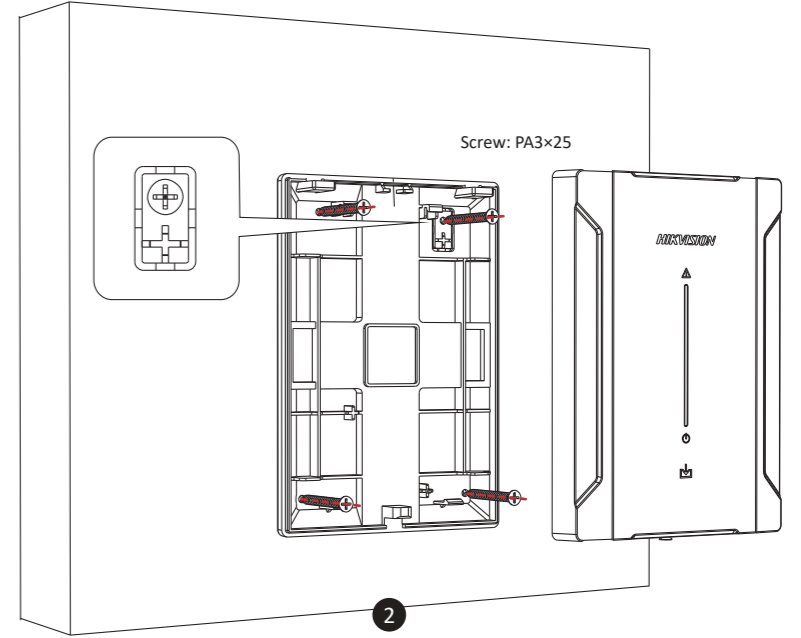
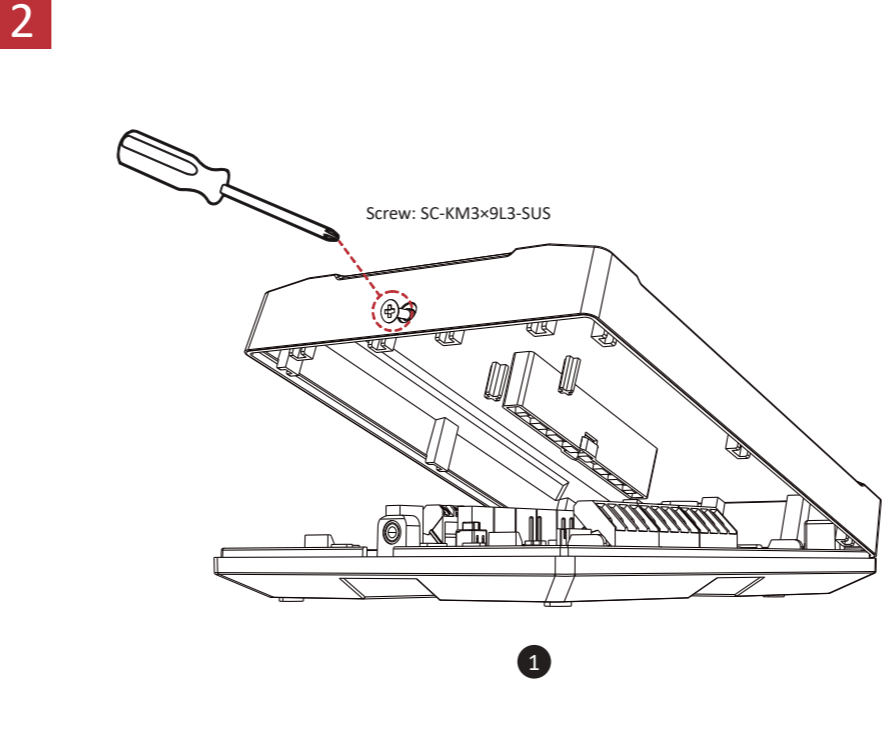
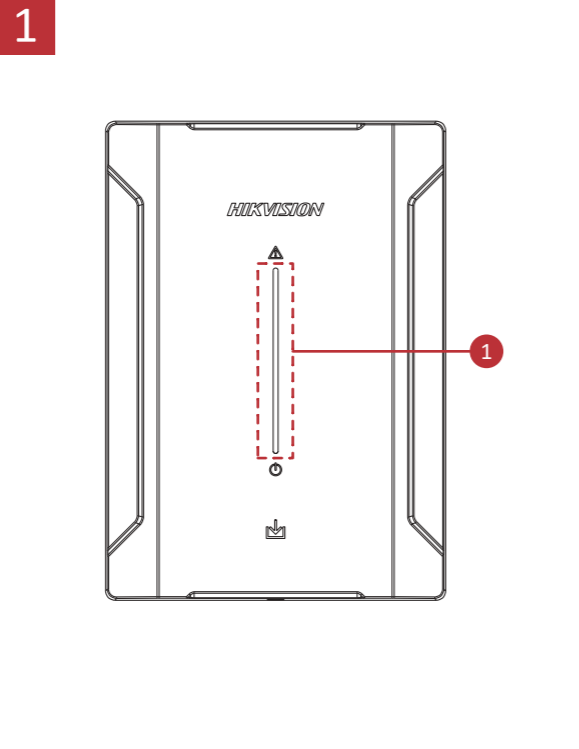
Configure the address via DIP switch of the input module before powering on the system. The address should be in the range [0 to 63]. The address of each module should be unique. The binary value shown in the diagram is 000011, which means the decimal value is 3, so the address of the module is 3.

5 Configuration

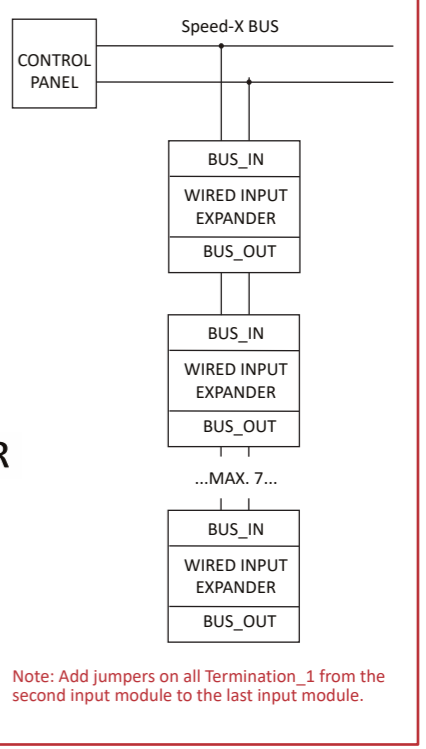
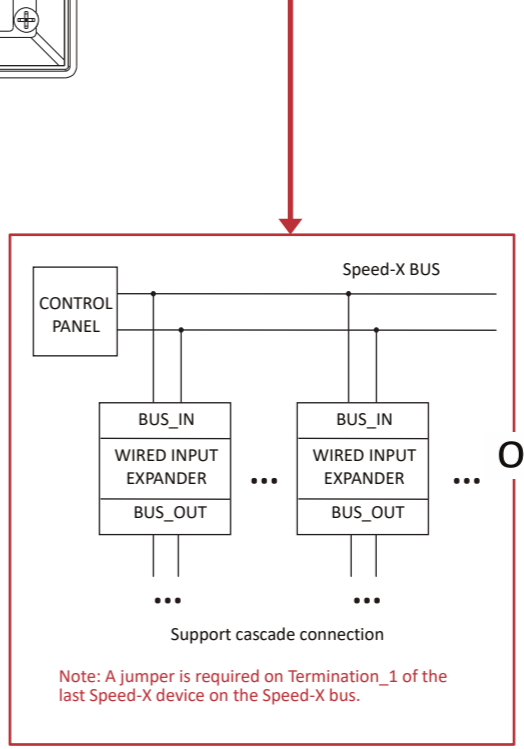
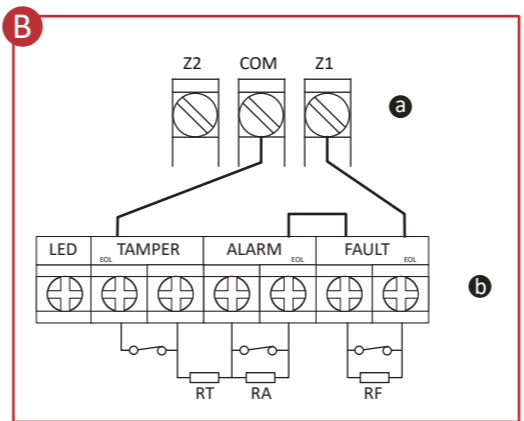
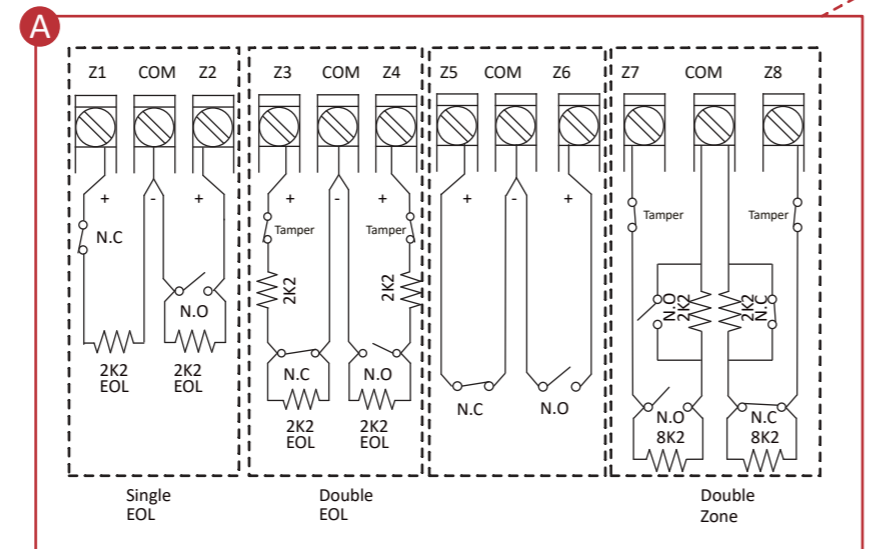
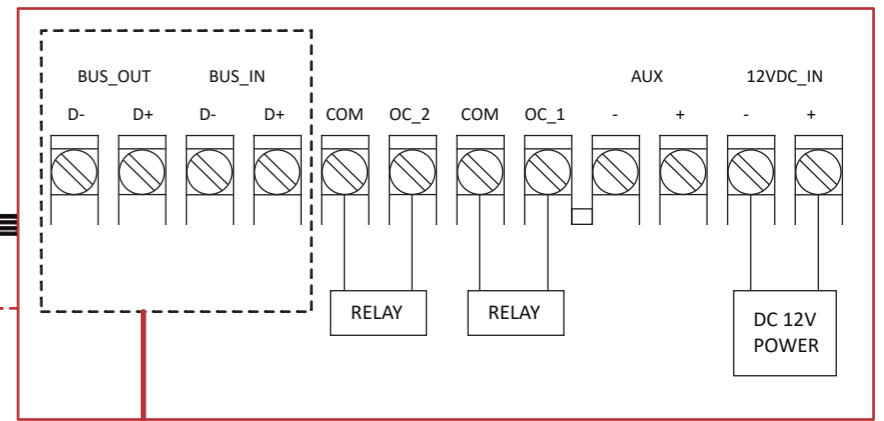
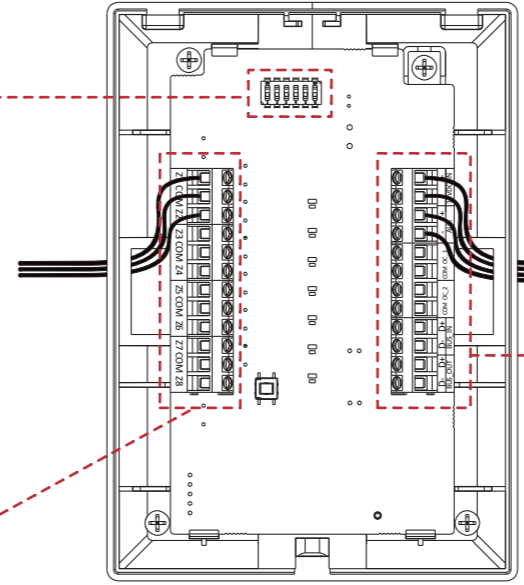
Enter the control panel IP address to log in the web client. Click **Device -> Module**. You can edit the module name and enable/disable auxiliary power output.

Specification

Alarm input	8
IO Output	2 collector outputs, used as control signal of relay module
Bus	2 × Speed-X bus (high-speed), 1 input for control panel connection and 1 output for expander cascading
Tamper-Proof	Support (front and rear)
Power supply	11 to 15 VDC, 1 A
Power consumption	Maximum current 119 mA@12 VDC; Quiescent current 45 mA@12 VDC;
Output Voltage	9 to 12 VDC
Output Current	Maximum 500 mA
Operation temperature	-10°C to 40°C
Operation humidity	10% to 90%
Shell material	Plastic
Dimension (W×H×D)	110 mm × 155 mm × 32 mm
Weight	253 g



BIN	Address	BIN	Address
000001	1	111000	56
000010	2	111001	57
000011	3	111010	58
000100	4	111011	59
000101	5	111100	60
000110	6	111101	61
000111	7	111110	62
...		111111	63



©2022 Hangzhou Hikvision Digital Technology Co., Ltd. All rights reserved.
About this Manual
The Manual includes instructions for using and managing the Product. Pictures, charts, images and all other information hereafter are for description and explanation only. The information contained in the Manual is subject to change, without notice, due to firmware updates or other reasons. Please find the latest version of this Manual at the Hikvision website (http://www.hikvision.com/).
Please use this Manual with the guidance and assistance of professionals trained in supporting the Product.
Trademarks
HIKVISION and other Hikvision trademarks and logos are the properties of Hikvision in various jurisdictions.
Other trademarks and logos mentioned are the properties of their respective owners.
Disclaimer
TO THE MAXIMUM EXTENT PERMITTED BY APPLICABLE LAW, THIS MANUAL AND THE PRODUCT DESCRIBED, WITH ITS HARDWARE, SOFTWARE AND FIRMWARE, ARE PROVIDED "AS IS" AND "WITH ALL FAULTS AND DEFECTS". HIKVISION MAKES NO WARRANTIES, EXPRESS OR IMPLIED, INCLUDING WITHOUT LIMITATION, MERCHANTABILITY, SATISFACTORY QUALITY, OR FITNESS FOR A PARTICULAR PURPOSE. THE USE OF THE PRODUCT BY YOU IS AT YOUR OWN RISK. IN NO EVENT WILL HIKVISION BE LIABLE TO YOU FOR ANY SPECIAL, CONSEQUENTIAL, INCIDENTAL, OR PUNITIVE DAMAGES, INCLUDING, WITHOUT LIMITATION, DAMAGES FOR LOSS OF PROFITS, BUSINESS REVENUE, OR LOSS OF DATA, CONSUMPTION OF TIME, OR LOSS OF DOCUMENTATION, WHETHER BASED ON BREACH OF CONTRACT, TORT (INCLUDING NEGLIGENCE), PRODUCT LIABILITY, OR OTHERWISE, IN CONNECTION WITH THE USE OF THE PRODUCT, EVEN IF HIKVISION HAS BEEN ADVISED OF THE POSSIBILITY OF SUCH DAMAGES OR LOSS.
YOU ACKNOWLEDGE THAT THE NATURE OF THE INTERNET PROVIDES FOR INHERENT SECURITY RISKS, AND HIKVISION SHALL NOT TAKE ANY RESPONSIBILITY FOR ANOMALOUS OPERATION, SERVICE LEASURES OR OTHER DAMAGES RESULTING FROM CYBER-ATTACK, HACKER ATTACK, VULNERABILITY, OR OTHER INTERNET SECURITY RISKS. HOWEVER, HIKVISION WILL PROVIDE TRUSTED TECHNICAL SUPPORT IF REQUIRED.
YOU AGREE TO USE THIS PRODUCT IN COMPLIANCE WITH ALL APPLICABLE LAWS, AND YOU ARE SOLELY RESPONSIBLE FOR ENSURING THAT YOUR USE CONFORMS TO THE APPLICABLE LAW. ESPECIALLY, YOU ARE RESPONSIBLE FOR USING THIS PRODUCT IN A MANNER THAT DOES NOT INFRINGE ON THE RIGHTS OF THIRD PARTIES, INCLUDING WITHOUT LIMITATION, RIGHTS OF PUBLICITY, INTELLECTUAL PROPERTY RIGHTS, OR DATA PROTECTION AND OTHER PRIVACY RIGHTS. YOU SHALL NOT USE THIS PRODUCT FOR ANY PROHIBITED END USES, INCLUDING THE DEVELOPMENT OR PRODUCTION OF WEAPONS OF MASS DESTRUCTION, THE OBTAINING OR DISSEMINATION OF CHEMICAL OR BIOLOGICAL WEAPONS, ANY ACTIVITIES OF THE CONTEXT RELATED TO ANY NUCLEAR EXPLOSIVE OR UNSAFE NUCLEAR FUEL CYCLE, OR IN SUPPORT OF HUMAN RIGHTS ABUSES.
IN THE EVENT OF ANY CONFLICTS BETWEEN THIS MANUAL AND THE APPLICABLE LAW, THE LATTER PREVAILS.
CE This product and, if applicable, the supplied accessories too are marked with "CE" and comply therefore with the applicable harmonized European standards listed under the EMC Directive 2014/53/EU, the RoHS Directive 2011/65/EU.
2012/19/EU (WEEE directive): Products marked with this symbol cannot be disposed of as unsorted municipal waste in the European Union. For proper recycling, return this product to your local supplier upon the purchase of equivalent new equipment, or dispose of it at designated collection points. For more information see: www.reyclinginfo.info
2006/96/EC (Battery directive): This product contains a battery that cannot be disposed of as unsorted municipal waste in the European Union. See the product documentation for specific battery information. The battery is marked with this symbol, which may include letters to indicate cadmium (Cd), lead (Pb), or mercury (Hg). For proper recycling, return the battery to your supplier or to a designated collection point. For more information see: www.reyclinginfo.info
CAUTION
In the use of the product, you must be in strict compliance with the electrical safety regulations of the nation and region.
The socket-outlet shall be installed near the equipment and shall be easily accessible.
+ identifies the positive terminal(s) of equipment which is used with, or generates direct current. - identifies the negative terminal(s) of equipment which is used with, or generates direct current.
No naked flame sources, such as lighted candles, should be placed on the equipment.
This equipment is suitable for mounting on concrete or other non-combustible surface only.
Install the equipment according to the instructions in this manual.
To prevent injury, this equipment must be securely attached to the wall in accordance with the installation instructions.
The additional force shall be equal to three times the weight of the equipment but not less than 10N. The equipment and its associated mounting means shall remain secure during the installation.
After the installation, the equipment, including any associated mounting plate, shall not be damaged.

