

**104-VMS3**

**NESS VMS SERVER 3**

**K-104-VMS3**

**NESS VMS SERVER 3 with 8 NX Witness Camera Licences**

See page 3, Ordering Information for all models



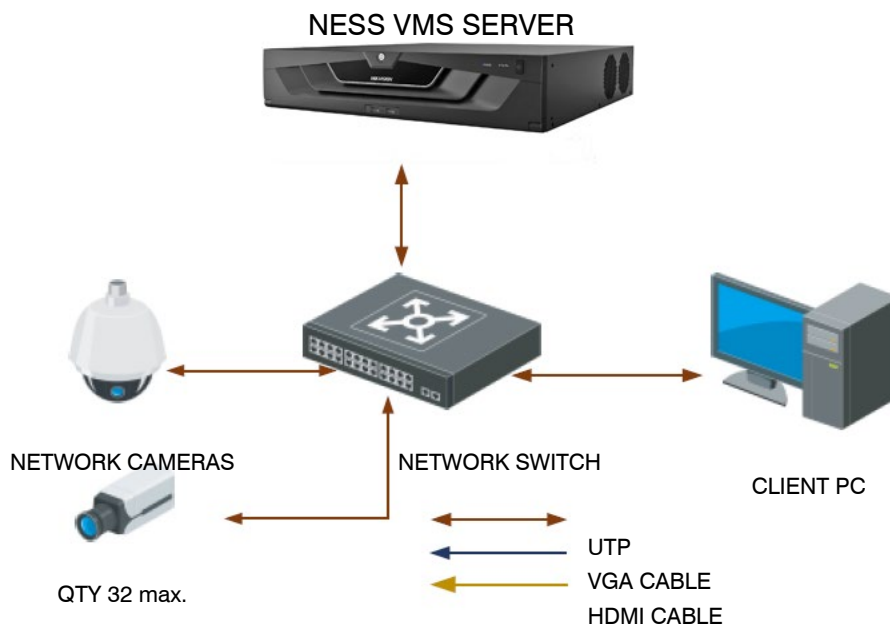
**LINUX OS  
8 CAMERA LICENCES SUPPLIED  
WITH SELECTED MODELS**

## Ness VMS Server 32CH

Ness VMS Servers are designed as a professional IP video surveillance platform for Ness NX WITNESS VMS software.

A combination of high performance CPU processing, encoding and decoding, as well as flexible storage capabilities allows NX WITNESS operate at 100% efficiency for truly amazing VMS surveillance management.

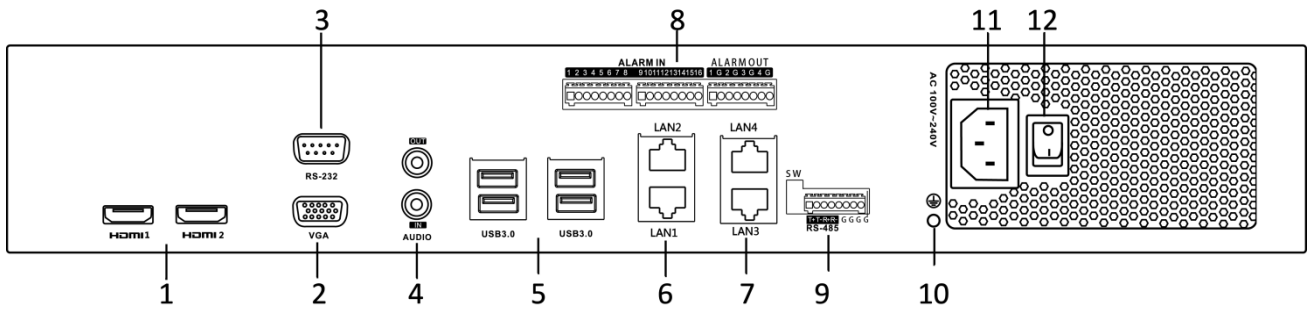
- Linux operating system
- Compatible with NX Witness VMS
- Inc 8x NX Witness cam licences (K-104-VMS3)
- Supports up to 32 cameras
- Software configurable RAID 1 (NX Witness)
- mSATA SSD available for operating system and software installation
- Includes 1 x mSATA SSD drive for the OS
- Supports up to 8 HDDs up to 10TB each
- Models available inc 3TB or 6TB HDDs



Configured as a Server only and does not run Nx Client.

Model		K-104-VMS3
System	Processor	Intel® Xeon® Processor E3-1225 v5, 3.30 GHz
		<b>Optional:</b> <ul style="list-style-type: none"> <li>•</li> <li>•</li> <li>•</li> <li>•</li> </ul>
	Memory	8GB = 2*4GB
		<b>Optional:</b> <ul style="list-style-type: none"> <li>•</li> <li>•</li> </ul>
	Graphics card	Intel® HD Graphics 530
Operating system	Ubuntu Linux 16.04	
Storage	System disk (OS, VMS)	mSATA 64GB
		<b>Optional:</b> mSATA 128GB
	SATA interface	8 SATA interfaces
		1TB/2TB/3TB/4TB/5TB/6TB/8TB/10TB capacity for each disk
RAID card	Optional	
Video/Audio output	HDMI interface	2 ×HDMI interface
		4K (3840 × 2160)/30Hz, 2K (2560 × 1440)/60Hz, 1920 × 1080/60Hz, 1600 × 1200/60Hz, 1280 × 1024/60Hz, 1280 × 720/60Hz, 1024 × 768/60Hz
	VGA interface	1 × VGA interface
		1920 × 1080/60Hz, 1280 × 1024/60Hz, 1280 × 720/60Hz, 1024 × 768/60Hz
	Audio input	1-ch, 3.5 mm audio connector
Audio output	1-ch, 3.5 mm audio connector	
External interface	LAN	2 × RJ45 10M/100M/1000M self-adaptive Ethernet interface
		<b>Optional:</b> 4 × RJ45 10M/100M/1000M self-adaptive Ethernet interface
	USB interface	Front panel: 2 × USB 2.0; Rear panel: 4 × USB 3.0
	Serial interface	RS-232; RS-485
Alarm input / output	<b>Optional:</b> 16/4	
General	Power supply	100 to 240 VAC, 50 to 60 Hz
	Consumption (without hard disk)	≤ 200 W
	Working temperature	0 to +45° C (+32 to +113° F)
	Storage temperature	-10 to +70° C (+14 to + 158° F)
	Working humidity	10 to 90 % (Non-condensing)
	Storage humidity	5 to 90 % (Non-condensing)
	Chassis	19-inch rack-mounted 2U chassis
	Dimensions (W × D × H)	445 × 470 × 90 mm (17.5"× 18.5" × 3.5")
	Weight (without hard disk)	≤ 8 kg (17.6 lb)

## Physical Interfaces



Index	Description	Index	Description
1	HDMI1 and HDMI2 Interfaces #	7	LAN3 and LAN4 Interfaces (Optional)
2	VGA Output Interface #	8	Alarm Input / Output (Optional)
3	RS-232 Serial Interface	9	RS-485 Serial Interface
4	Audio Input / Output Interface	10	GND
5	4 × USB 3.0 Interface	11	100 to 240 VAC power supply
6	LAN1 and LAN2 Interfaces	12	Power Switch

# Video outputs are for temporary setup only, not for permanent monitors

## Ordering Information

Part No. 104-VMS3 VMS Server only  
 Part No. K-104-VMS3 VMS Server with 8 NX Witness Camera Licences  
 Part No. K-104-VMS3-8A VMS4 Server inc 8 x NX Licences, inc 3TB HDD  
 Part No. K-104-VMS3-8B VMS4 Server inc 8 x NX Licences, inc 6TB HDD