

**DS-2CD3767G3T-LIZSUY**  
**6 MP Dual Illumination Motorized Varifocal Dome Network Camera**

114-710-M2



Hikvision has been dedicated to develop products with security since established. Hikvision always follows security by design principle and has adopted many methods of security technologies into our product development lifecycle, including terminal security, data security, application security, network security, and privacy protection. In the meantime, the security technologies used by Hikvision are all in compliance with local applicable laws and safety regulations. These security measures could enhance product's cyber security protection capability and protect your devices as well as your data from malicious cyber attacks.

Hikvision Darkfighter 2.0 technology provides 24/7 vivid colorful images with F1.2 advanced lenses, high performance sensors and friendly lighting. F1.2 super-aperture collects more light to produce brighter images. Advanced sensor technology can vastly improve the utilization of available light.

- HIK AI-ISP for excellent noise reduction effect
- 24/7 colorful imaging via Darkfighter 2.0 technology
- Scene-adaptive WDR
- Focus on Person and Vehicle classification based on deep learning
- Motorized varifocal lens for easy installation and monitoring
- -Y: Anti-corrosion design, providing reliability and longevity compared to standard (NEMA4X)
- Smart Hybrid Light: Integrates IR and White lights, 3 supplemental lighting modes
- Water and dust resistant (IP67) and vandal resistant (IK10)

## ▪ Specification

Model		DS-2CD3767G3T-LIZSUY(2.7-13.5mm)(海外标配)
Camera	Image Sensor	
	Max. Resolution	
	Min. Illumination	
	Shutter Time	
	Day & Night	
	Angle Adjustment	
Lens	Lens Type	
	Focal Length & FOV	
	Lens Mount	
	Iris Type	
	Aperture	
	Depth of Field	
DORI	DORI	
Illuminator	Supplement Light Type	
	Supplement Light Range	
	Smart Supplement Light	
	IR Wavelength	
HEOP	Open Resources	
	Computing Power	
	Open Capability	
	Deep Learning Structure	
	Programming Language	
Video	Main Stream	
	Sub-Stream	
	Third Stream	
	Fourth Stream	
	Video Compression	
	Video Bit Rate	
	H.264 Type	
	H.265 Type	
	Bit Rate Control	
	Scalable Video Coding (SVC)	
	Region of Interest (ROI)	
	e-PTZ	
Audio	Audio Type	
	Audio Compression	
	Audio Bit Rate	
	Audio Sampling Rate	
	Environment Noise Filtering	
Network	Protocols	
	Simultaneous Live View	
	API	

	User/Host	
	Security	
	Network Storage	
	Client	
	Web Browser	
<b>Image</b>	Image Parameters Switch	
	Image Settings	
	Day/Night Switch	
	Image Enhancement	
	SNR	
	Wide Dynamic Range (WDR)	
	Image Stabilization	
	Privacy Mask	
<b>Interface</b>	Ethernet Interface	
	On-Board Storage	
	Audio	
	Alarm	
	Reset Key	
	Power Output	
<b>Event</b>	Basic Event	
	Smart Event	
	Linkage	
<b>Deep Learning Function</b>	Face Capture	
	People Counting	
	Perimeter Protection	
<b>General</b>	Power	
	Material	
	Dimension	
	Package Dimension	
	Weight	
	With Package Weight	
	Storage Conditions	
	Startup and Operating Conditions	
	General Function	
	Language	
<b>Approval</b>	EMC	
	Safety	
	Environment	
	Protection	
	Anti-Corrosion Protection	

## ▪ Typical Application

Hikvision products are classified into three levels according to their anti-corrosion performance. Refer to the following description to choose for your using environment.

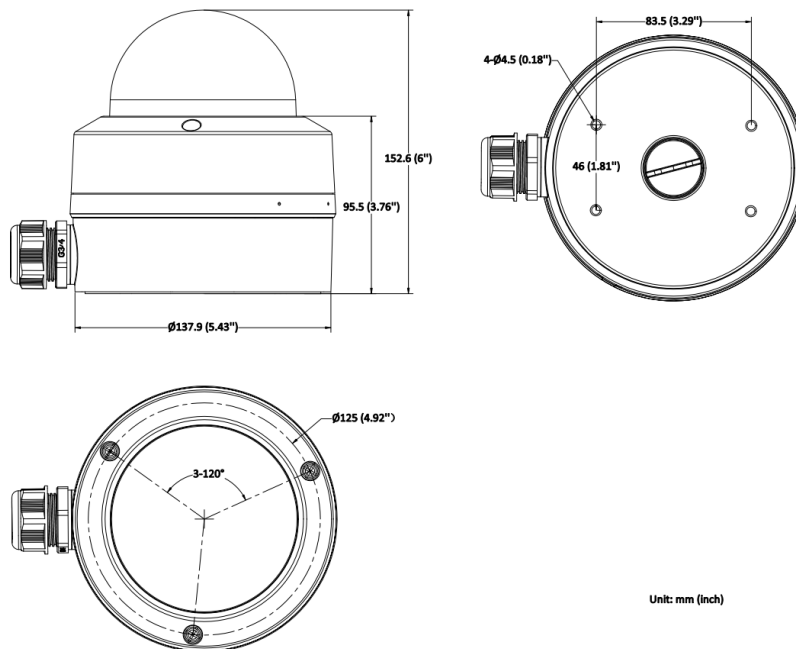
This model has MODERATE PROTECTION.

Level	Description
Top-level protection	Hikvision products at this level are equipped for use in areas where professional anti-corrosion protection is a must. Typical application scenarios include coastlines, docks, chemical plants, and more.
Moderate protection	Hikvision products at this level are equipped for use in areas with moderate anti-corrosion demands. Typical application scenarios include coastal areas about 2 kilometers (1.24 miles) away from coastlines, as well as areas affected by acid rain.
No specific protection	Hikvision products at this level are equipped for use in areas where no specific anti-corrosion protection is needed.

▪ **Available Model**

DS-2CD3767G3T-LIZSUY(2.7-13.5mm)

▪ **Dimension**



▪ **Accessory**

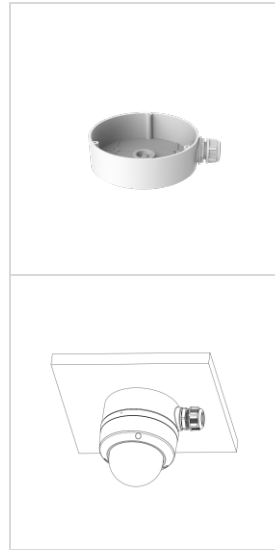
▪ **Included**

DS-1280ZJ-DM45

-Y#EU

DS-1280ZJ-DM45

-Y



▪ **Optional**

<b>DS-1275ZJ-SUS</b> Vertical pole mount	<b>DS-220AZJ-145-WA</b> Y Wall mount	<b>DS-1276ZJ-SUS</b> Corner mount	<b>DS-1273ZJ-140-DM</b> 45-Y Wall mount	<b>DS-1275ZJ-S-SUS</b> Vertical pole mount
				
				
<b>DS-1271ZJ-140-DM</b> 45-Y Pendant Mount				
				



Innovative Electronic Solutions  
[www.ness.com.au](http://www.ness.com.au)



NSW Ph 02 8825 9222  
[sales@ness.com.au](mailto:sales@ness.com.au)

VIC Ph 03 9875 6400  
[nessmelb@ness.com.au](mailto:nessmelb@ness.com.au)

QLD Ph 07 3399 4910  
[nessbris@ness.com.au](mailto:nessbris@ness.com.au)

WA Ph 08 9328 2511  
[nessper@ness.com.au](mailto:nessper@ness.com.au)

SA Ph 08 8152 0000  
[adelaide@ness.com.au](mailto:adelaide@ness.com.au)