

## DS-UPS600-R UPS

114-691B



- Built-in AVR
- Super fast charging
- Wide input voltage range
- Overload protection
- Short circuit protection
- Surge protection

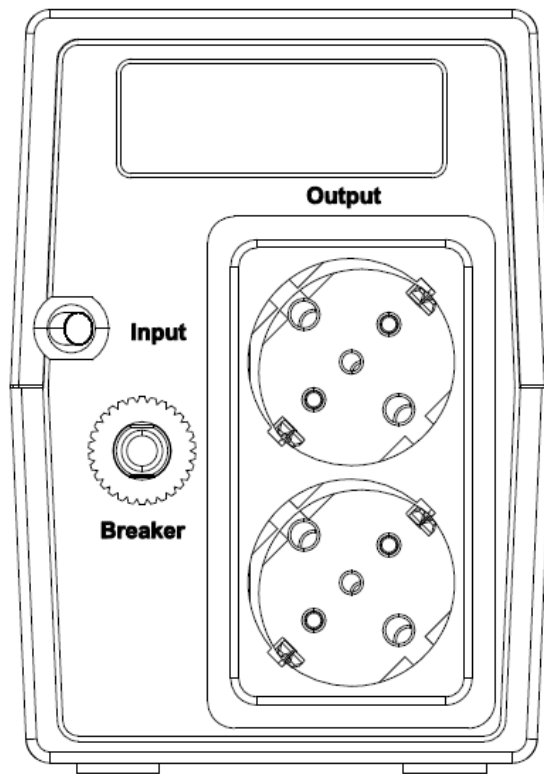
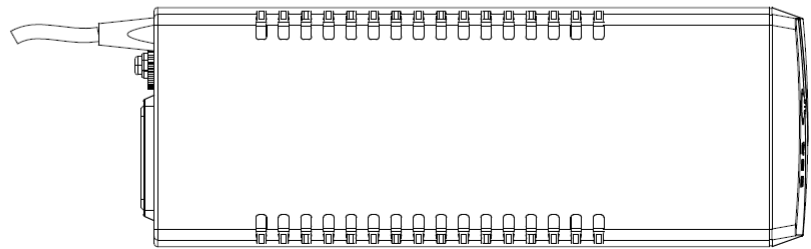
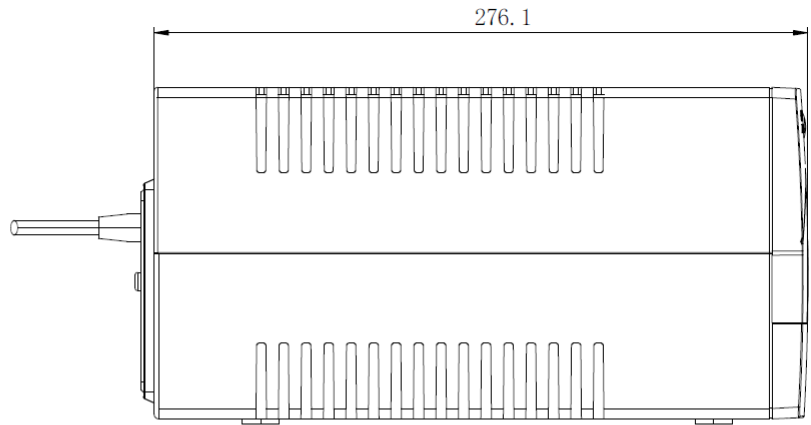
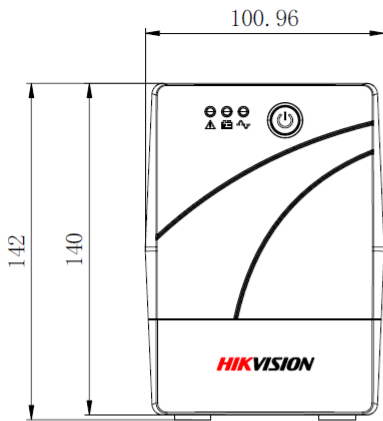
## ▪ Specification

Power	
UPS Capacity	600 VA / 360 W
Input	
Input Voltage Range	162 VAC to 268 VAC (220V) 170 VAC to 280 VAC (230V) 177 VAC to 290 VAC (240V)
Input Frequency	50/60 Hz self-adaptive
Plug Type	Schuko
Output	
Output Voltage Range	220/230VAC ± 10%
Output Frequency	50/60 Hz ± 0.5 Hz self-adaptive
Transfer Time	≤ 10 ms
Waveform	Simulated Sine wave
Outlet Type	Schuko
Outlet Number	2
Battery	
Battery Type	12 V/7 Ah x 1, lead-acid battery
Recharge Time	4-6 hours recover to 90% capacity
Typical Backup Time	Run time at 100w: 15-20 min
Interface	
Communicate Ports	No
Protection	
Full Protection	Surge protection, Overload protection, Discharge protection, Short circuit protection
Indicator	
Display	LED indicator Line mode: Solid green led lighting Battery mode: Solid yellow led flash Fault mode: Solid red led lighting
Alarm	Battery mode: Sounding every 10 seconds. Low battery : Sounding every second. Over load : Sounding every 0.5 seconds. Fault: Continuously sounding.
General	
Operating Temperature	0 °C to 40 °C (32 °F to 104 °F)
Operating Humidity	0% to 90% (non-condensing)
Dimension	276.1 mm × 101 mm × 142 mm (10.9" × 3.98" × 5.59")
Weight	4.25kg

## ▪ Available Model

DS-UPS600-R

## ▪ Dimension



Innovative Electronic Solutions  
[www.ness.com.au](http://www.ness.com.au)



NSW Ph 02 8825 9222  
[sales@ness.com.au](mailto:sales@ness.com.au)

VIC Ph 03 9875 6400  
[nessmelb@ness.com.au](mailto:nessmelb@ness.com.au)

QLD Ph 07 3399 4910  
[nessbris@ness.com.au](mailto:nessbris@ness.com.au)

WA Ph 08 9328 2511  
[nessper@ness.com.au](mailto:nessper@ness.com.au)

SA Ph 08 8152 0000  
[adelaide@ness.com.au](mailto:adelaide@ness.com.au)