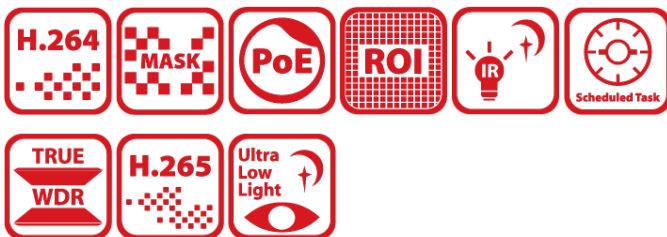


DS-2SE7C432MWG-EB/26(F0)**TandemVu 6+4 MP 32X ColorVu & IR Acusense Panoramic Network Speed Dome**

114-475B



- Panoramic channel supports image stitching, with 180° horizontal field of view
- High quality imaging with 6 MP resolution in panoramic channel and 4 MP resolution in PTZ channel
- Secures an expansive area with 32 × optical zoom and 16 × digital zoom
- AcuSense technology focuses on human and vehicle targets classification and supports face capture to detect, capture and select faces in motion
- Expansive night view with up to 200 m IR distance in PTZ channel and 30 m white light in panoramic channel
- Active strobe light and audio alarm to warn intruders off
- Smart-linkage between panoramic channel and PTZ channel

▪ Specification

Camera	
Image Sensor	[Panoramic channel] 1/2.5" Progressive Scan CMOS, [PTZ channel] 1/2.8" Progressive Scan CMOS
Max. Resolution	[Panoramic channel] 3632 × 1632, [PTZ channel] 2560 × 1440
Min. Illumination	[PTZ channel] Color: 0.005 Lux @ (F1.5, AGC ON), B/W: 0.001 Lux @ (F1.5, AGC ON), 0 lux with IR, [Panoramic channel] Color: 0.0005 Lux @ (F1.0, AGC ON), 0 Lux with Light
Shutter Speed	1 s to 1/30,000 s
Day & Night	IR cut filter
Zoom	32 × optical, 16 × digital
Slow Shutter	yes
HLC	yes
3D DNR	yes
Lens	
Focal Length	[Panoramic channel] 2.8 mm, [PTZ channel] 5.9 to 188.8 mm
FOV	[Panoramic channel] horizontal field of view: 180°±10°, vertical field of view: 80°±5° [PTZ channel] horizontal field of view: 60.2° to 2.3°, vertical field of view: 35.2° to 1.3°
Focus	Auto, semi-auto, manual
Aperture	[Panoramic channel] F1.0, [PTZ channel] Max. F1.5
Zoom Speed	[Panoramic channel] No, [PTZ channel] approx. 5.6 s
Illuminator	
Supplement Light Range	IR distance: up to 200 m
White Light Distance	Panoramic channel: 30 m
PTZ	
Movement Range (Pan)	360°
Movement Range (Tilt)	-15° to 90°
Pan Speed	Pan speed: configurable from 0.1° to 160°/s, preset speed: 240°/s
Tilt Speed	Tilt speed: configurable from 0.1° to 120°/s, preset speed 200°/s
Proportional Pan	Yes
Presets	300
Preset Freezing	Yes
Patrol Scan	8 patrols, up to 32 presets for each patrol
Pattern Scan	4 pattern scans, record time over 10 minutes for each scan
Park Action	Preset, pattern scan, patrol scan, auto scan, tilt scan, random scan, frame scan, panorama scan
3D Positioning	Yes
PTZ Status Display	Yes
Scheduled Task	Preset, pattern scan, patrol scan, auto scan, tilt scan, random scan, frame scan, panorama scan, dome reboot, aux output, dome adjust
Power-off Memory	Yes
Video	
Main Stream	[PTZ channel] 50 Hz: 25 fps (2560 × 1440, 1920 × 1080, 1280 × 960, 1280 × 720), 60 Hz: 30 fps (2560 × 1440, 1920 × 1080, 1280 × 960, 1280 × 720), [Panoramic channel] 50 Hz: 25 fps (3632 × 1632, 3680 × 1656), 60 Hz: 30 fps (3632 × 1632, 3680 × 1656)

Sub-Stream	[PTZ channel] 50 Hz: 25 fps (704 × 576, 640 × 480, 352 × 288), 60 Hz: 30 fps (704 × 480, 640 × 480, 352 × 240), [Panoramic channel] 50 Hz: 25 fps (1200 × 536, 960 × 432), 60 Hz: 30 fps (1200 × 536, 960 × 432)
Third Stream	[PTZ channel] 50 Hz: 25 fps (1920 × 1080, 1280 × 960, 1280 × 720, 704 × 576, 640 × 480, 352 × 288), 60 Hz: 30 fps (1920 × 1080, 1280 × 960, 1280 × 720, 704 × 480, 640 × 480, 352 × 240), [Panoramic channel] No
Video Compression	Main stream: H.265+/H.265/H.264+/H.264, Sub-stream: H.265/H.264/MJPEG, Third stream: H.265/H.264/MJPEG
Video Bit Rate	32 Kbps to 16384 Mbps
H.264 Type	Baseline Profile, Main Profile, High Profile
H.265 Type	Main Profile
Scalable Video Coding (SVC)	yes
Region of Interest (ROI)	fixed region
Audio	
Audio Compression	G.711, G.722.1, G.726, MP2L2, PCM, AAC-LC, MP3
Audio Bit Rate	32 to 192 Kbps (MP2L2), 16 to 64 Kbps (AAC-LC), 8 to 320 Kbps (MP3)
Audio Sampling Rate	8 kHz, 16 kHz, 32 kHz, 48 kHz
Environment Noise Filtering	yes
Network	
Protocols	TCP/IP, ICMP, HTTP, HTTPS, FTP, DHCP, DNS, DDNS, RTP, RTSP, RTCP, PPPoE, NTP, UPnP, SMTP, SNMP, IGMP, 802.1X, QoS, IPv4/IPv6, UDP, Bonjour, WebSocket, WebSockets, SRT
Simultaneous Live View	20
API	ISUP, SDK, ISAPI, Open Network Video Interface (Profile S, Profile G, Profile T)
User/Host	32
Security	Password protection, HTTPS encryption, 802.1X authentication (EAP-TLS, EAP-LEAP, EAP-MD5), host authentication (MAC address), IP address filter
Network Storage	NAS (NFS, SMB/CIFS), auto network replenishment (ANR)
Client	iVMS-4200, HikCentral Pro, Hik-Connect
Web Browser	IE 11+, Chrome 57+, Firefox 52+, Safari 12+, Edge 79.0.309.65+
Image	
Image Parameters Switch	Yes
Image Settings	saturation, brightness, contrast, sharpness
Day/Night Switch	Day, night, auto, schedule
Wide Dynamic Range (WDR)	[Panoramic channel] Digital WDR, [PTZ channel] 120 dB
SNR	> 52dB
Defog	yes
Image Stabilization	yes
Image Enhancement	BLC, HLC, 3D DNR
Privacy Mask	24 programmable polygon privacy masks, mask color or mosaic configurable
Regional Focus	yes
Regional Exposure	yes
Interface	
Ethernet Interface	1 RJ45 10/100M self-adaptive Ethernet port
On-board Storage	Built-in memory card slot, support MicroSD/Micro SDHC/Micro SDXC, up to 256 GB

Audio	1 input (line in), max. input amplitude: 2-2.4 vpp, input impedance: 1 K Ω \pm 10%, 1 output (line out), line level, output impedance: 600 Ω
Alarm	2 input(s), 1 output(s)
Reset	Yes
Event	
Basic Event	Motion detection, video tampering alarm, alarm input and output, exception (network disconnected, IP address conflict, illegal login, HDD full, HDD error, abnormal restart)
Smart Event	Line crossing detection, intrusion detection, region entrance detection, region exiting detection, audio exception detection
Linkage	Upload to FTP/NAS/memory card, notify surveillance center, send email, trigger alarm output, trigger recording, and PTZ actions (such as preset, patrol scan, pattern scan), audible warning, white light flashing
Smart Tracking	Manual tracking, auto-tracking
Smart Linkage	panorama linkage, tracking takeover, track in turn
Deep Learning Function	
Face Capture	Support detecting up to 5 faces at the same time. Support detecting, tracking, capturing, grading, selecting of face in motion, and output the best face picture of the face
Regional People Counting	Yes
General	
Power	24 VAC, Max. 60 W, Hi-PoE
Dimension	\varnothing 222.3 mm \times 387.2 mm (\varnothing 8.75" \times 15.2")
Weight	Approx. 6 kg (13.23 lb.)
Material	ADC12, Plastic, PC+10%GF
Operating Condition	-30 $^{\circ}$ C to 65 $^{\circ}$ C (-22 $^{\circ}$ F to 149 $^{\circ}$ F). Humidity 90% or less (non-condensing)
General Function	mirror, watermark, password protection, IP address filter
Demist	Yes
Approval	
Protection	IP66 (IEC 60529-2013)

▪ DORI

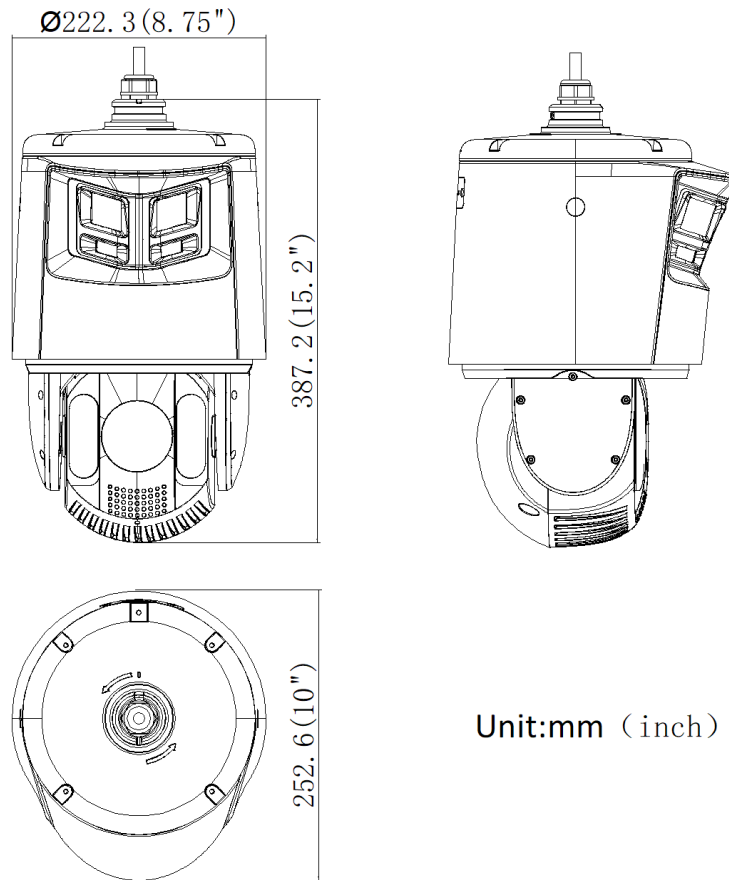
The DORI (detect, observe, recognize, identify) distance gives the general idea of the camera ability to distinguish persons or objects within its field of view. It is calculated based on the camera sensor specification and the criteria given by EN 62676-4: 2015.

DORI	Detect	Observe	Recognize	Identify
Definition	25 px/m	63 px/m	125 px/m	250 px/m
Distance (Tele)	3060.0 m (10039.4 ft.)	1214.3 m (3983.9 ft.)	612 m (2007.9 ft.)	306.0 m (1004.0 ft.)

▪ Available Model

DS-2SE7C432MWG-EB/26(F0)

▪ **Dimension**



Unit:mm (inch)

▪ **Accessory**

▪ **Included**

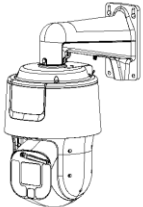
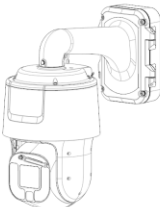
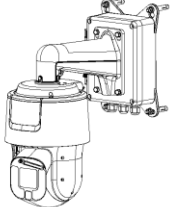
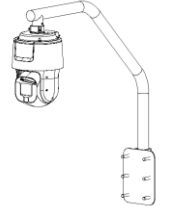
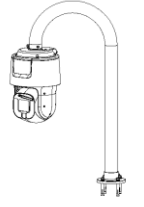



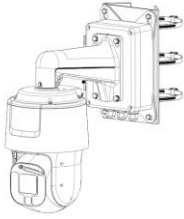
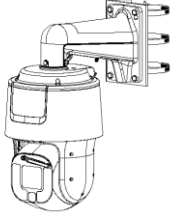
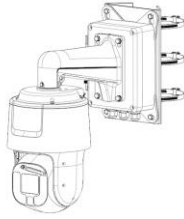




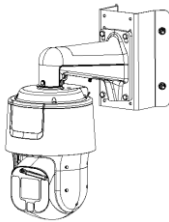
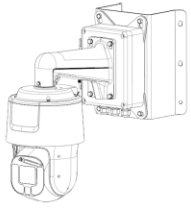
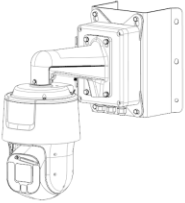
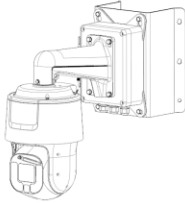
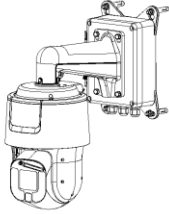


▪ **Optional**

DS-1660ZJ	DS-4650ZJ-WC	DS-1663ZJ	DS-1604ZJ-BOX-PO LE	DS-1276ZJ

DS-1604ZJ	DS-1604ZJ-BOX-CO RNER	DS-1674ZJ	DS-1604ZJ-box	DS-1684ZJ
				
DS-1604ZJ-corner	DS-1619ZJ	DS-1662ZJ	DS-1661ZJ	DS-1604ZJ-pole
				
DS-4660ZJ-WC	DS-1667ZJ	DS-1673ZJ	DS-1673ZJ	DS-1673ZJ
				

▪ **Installation Methods**

Wall Mounting DS-1602ZJ	Wall Mounting DS-1604ZJ	Wall Mounting DS-1604ZJ-box	Gooseneck Mounting DS-1660ZJ	Gooseneck Mounting DS-1619ZJ
				
Vertical Pole Mounting DS-4650ZJ-WC+DS-16 74ZJ+DS-1602ZJ	Vertical Pole Mounting DS-1604ZJ-BOX-POLE	Vertical Pole Mounting DS-1684ZJ+DS-1602ZJ	Vertical Pole Mounting DS-1604ZJ-pole	Pendant Mounting DS-1663ZJ

				
Pendant Mounting DS-1662ZJ	Pendant Mounting DS-1661ZJ	Pendant Mounting DS-1667ZJ	Corner Mounting DS-1276ZJ+DS-1602ZJ	Corner Mounting DS-1604ZJ-BOX-CORN ER
				
Corner Mounting DS-1604ZJ-corner	Corner Mounting DS-4660ZJ-WC+DS-16 02ZJ+DS-1674ZJ	Junction Box DS-1674ZJ+DS-1602ZJ	Horizontal Pole Mounting DS-1673ZJ+DS-1661ZJ	Horizontal Pole Mounting DS-1673ZJ+DS-1662ZJ
				
Horizontal Pole Mounting DS-1673ZJ+DS-1663ZJ				
