

DS-2CD6924G0-IHS(/NFC) 8 MP 180° PanoVu Network Camera

114-279



- 180° splicing image to present all scenes that covered by the camera
- Built-in heater, ultra-low temperature start up to -40 °C
- Water and dust resistant (IP67) and vandal proof (IK10)
- Multiple display modes available: panorama, original, panorama + ePTZ, and divided panorama

▪ Specification

Camera	
Image Sensor	1/1.8" Progressive Scan CMOS
Max. Resolution	2.8 mm Panorama+ePTZ mode: panorama channel: 1920 × 1080; ePTZ channel: 1920 × 1080 Panorama mode: 3840 × 2160 Original mode: 1920 × 1080 6 mm Panorama+ePTZ mode: panorama channel: 2400 × 400; ePTZ channel: 1920 × 1080 Panorama mode: 6480 × 1080 Original mode: 1920 × 1080
Min. Illumination	Color: 0.003 Lux @ (F1.2, AGC ON); B/W: 0.0018 Lux @ (F1.6, AGC ON), 0 Lux with IR
Shutter Time	1/25 s to 1/100,000 s
Day & Night	IR cut filter. Blue glass module to reduce ghost phenomenon.
Angle Adjustment	Pan: 0° to 355°, tilt: 0° to 90°
Lens	
Lens Type	Fixed focal lens, 2.8 mm and 6 mm optional, four lenses
Focal Length & FOV	2.8 mm: horizontal FOV 180°, vertical FOV 90° 6 mm: horizontal FOV 180°, vertical FOV 25°
Lens Mount	M16
Focus	Manual, semi-auto
Aperture	F1.4
Illuminator	
Supplement Light Type	IR, four IR LEDs
Supplement Light Range	Up to 20 m
IR Wavelength	850 nm
Video	
Main Stream	2.8 mm Panorama+ePTZ mode: panorama channel: 50Hz: 25fps (1920 × 1080, 1280 × 720), 60Hz: 30fps (1920 × 1080, 1280 × 720); ePTZ channel: 50Hz: 25fps (1920 × 1080, 1280 × 720), 60Hz: 30fps (1920 × 1080, 1280 × 720) Panorama mode: 50Hz: 25fps (3840 × 2160, 2560 × 1440, 1920 × 1080), 60Hz: 30fps (3840 × 2160, 2560 × 1440, 1920 × 1080) Original mode: 50Hz: 25fps (1920 × 1080), 60Hz: 30fps (1920 × 1080) 6 mm Panorama+ePTZ mode: panorama channel: 50Hz: 25fps (2400 × 400), 60Hz: 30fps (2400 × 400); ePTZ channel: 50Hz: 25fps (1920 × 1080, 1280 × 720), 60Hz: 30fps (1920 × 1080, 1280 × 720) Panorama mode: 50Hz: 25fps (6480 × 1080, 4800 × 800, 3600 × 600), 60Hz: 30fps (6480 × 1080, 4800 × 800, 3600 × 600) Original mode: 50Hz: 25fps (1920 × 1080), 60Hz: 30fps (1920 × 1080)

Sub-Stream	2.8 mm Panorama mode: 50Hz: 25fps (1280 × 720, 640 × 360), 60Hz: 30fps (1280 × 720, 640 × 360) 6 mm Panorama mode: 50Hz: 25fps (2400 × 400, 1920 × 320, 1440 × 240), 60Hz: 30fps (2400 × 400, 1920 × 320, 1440 × 240)
Video Compression	Main stream: H.265+/H.265/H.264+/H.264 Sub-stream: H.265/H.264/MJPEG
Video Bit Rate	32 Kbps to 65 Mbps
H.264 Type	Baseline Profile,Main Profile,High Profile
H.265 Type	Main Profile
Scalable Video Coding (SVC)	H.264 and H.265 encoding
Target Cropping	Yes (only panorama mode supports)
Audio	
Audio Compression	G.711/G.722.1/G.726/MP2L2/PCM
Audio Bit Rate	64Kbps(G.711)/16Kbps(G.722.1)/16Kbps(G.726)/32-192Kbps(MP2L2)/32Kbps(PCM)
Audio Sampling Rate	8 kHz/16 kHz/32 kHz/48 kHz
Environment Noise Filtering	Yes
Network	
Protocols	TCP/IP, ICMP, HTTP, HTTPS, FTP, DHCP, DNS, DDNS, RTP, RTSP, RTCP, PPPoE, NTP, UPnP, SMTP, SNMP, IGMP, 802.1X, QoS, IPv4, IPv6, UDP, Bonjour
Simultaneous Live View	Up to 20 channels
API	ONVIF (PROFILE S, PROFILE G), ISAPI, SDK, Ehome
User/Host	Up to 32 users. 3 user levels: administrator, operator and user
Security	Password protection, complicated password, HTTPS encryption, 802.1X authentication (EAP-TLS, EAP-LEAP, EAP-MD5), watermark, IP address filter, basic and digest authentication for HTTP/HTTPS, WSSE and digest authentication for ONVIF, RTP/RTSP over HTTPS, control timeout settings, TLS 1.2, TLS1.0, TLS1.1
Network Storage	NAS (NFS, SMB/CIFS),Auto Network Replenishment (ANR)
Client	iVMS-4200
Web Browser	IE8+
Image	
Image Settings	Rotate mode (only the original mode supports), saturation, brightness, contrast, sharpness, AGC, and white balance are adjustable by client software or web browser
Day/Night Switch	Day,Night,Auto,Schedule,Alarm Trigger
Wide Dynamic Range (WDR)	Digital WDR
Image Enhancement	BLC, HLC, 3D DNR, Defog, EIS (only the original mode supports)
Picture Overlay	LOGO picture can be overlaid on video with 128 × 128 24 bit bmp format
Interface	
Ethernet Interface	1 RJ45 10 M/100 M/1000 M Ethernet port
On-Board Storage	Built-in memory card slot, support microSD/microSDHC/microSDXC card, up to 256 GB
Audio	1 input (line in), 3.5 mm 3-section connector, max. input amplitude: 1 vpp, input impedance: 4.7 KΩ, interface type: non-equilibrium; 1 output (line out), 3.5 mm 3-section connector, max. output amplitude: 1 vpp, output impedance: 100 Ω, interface type: non-equilibrium
Alarm	2 inputs, 2 outputs (max. 24 VDC, 1A)

RS-485	1 RS-485 interface (half duplex, HIKVISION, Pelco-P, Pelco-D, self-adaptive)
Reset Key	Yes
Fiber Optical	/NFC: FC interface, single mode, single fiber, Tx1310nm/1.25G, Rx1550nm/1.25G, up to 20 km
Event	
Basic Event	Motion detection (only panorama and original modes support), exception (network disconnected, IP address conflict, illegal login, HDD full, HDD error)
Linkage	Upload to FTP/NAS/memory card, notify surveillance center, send email, trigger alarm output, trigger recording, trigger capture
Deep Learning Function	
People Density	Without (D) version: Yes (only panorama mode supports) With (D) version: No
General	
Power	12 VDC, 1.6 A, max. 24 W, three-core terminal block PoE: 802.3at, 42.5 V to 57 V, 0.5 to 0.4 A
Material	Aluminum alloy
Dimension	189.5 × 207.63 × 206.62 mm (7.46" × 8.17" × 8.13")
Package Dimension	340 × 261 × 293 mm (13.4" × 10.3" × 11.5")
Weight	Approx. 3 kg (6.6 lb.)
With Package Weight	Approx. 5 kg (11 lb.)
Storage Conditions	-40 °C to +60 °C (-40 °F to +140 °F), humidity 95% or less (non-condensing)
Startup and Operating Conditions	-40 °C to +60 °C (-40 °F to +140 °F), humidity 95% or less (non-condensing)
Language	English
General Function	Anti-flicker, heartbeat, mirror (only original mode supports), privacy masks (only original mode supports), password protection, watermark, IP address filter, pixel counter
Heater	Yes
Approval	
EMC	FCC (47 CFR Part 15, Subpart B); CE-EMC (EN 55032: 2015, EN 61000-3-2: 2014, EN 61000-3-3: 2013, EN 50130-4); RCM (AS/NZS CISPR 32:2015); IC (ICES-003: Issue 6, 2016); KC (KN 32: 2015, KN 35: 2015)
Safety	UL (UL 60950-1); CB (IEC 60950-1:2005 + Am 1:2009 + Am 2:2013); BIS (IS 13252 (Part 1): 2010+A1:2013+A2:2015); CE-LVD (EN 60950-1:2005 + Am 1:2009 + Am 2:2013)
Environment	CE-ROHS (2011/65/EU); REACH (Regulation (EC) No 1907/2006); WEEE (2012/19/EU)
Protection	IK10 (IEC 62262:2002), IP67 (IEC 60529-2013)

▪ DORI

The DORI (detect, observe, recognize, identify) distance gives the general idea of the camera ability to distinguish persons or objects within its field of view. It is calculated based on the camera sensor specification and the criteria given by EN 62676-4: 2015.

DORI	Detect	Observe	Recognize	Identify
Distance(2.8 mm)	32 m	12.5 m	6.5 m	3 m
Distance(6 mm)	63.2 m	25.1 m	12.6 m	6.3 m

▪ Typical Application

Hikvision products are classified into three levels according to their anti-corrosion performance. Refer to the following description to choose for your using environment.

This model has NO SPECIFIC PROTECTION.

Level	Description
Top-level protection	Hikvision products at this level are equipped for use in areas where professional anti-corrosion protection is a must. Typical application scenarios include coastlines, docks, chemical plants, and more.
Moderate protection	Hikvision products at this level are equipped for use in areas with moderate anti-corrosion demands. Typical application scenarios include coastal areas about 2 kilometers (1.24 miles) away from coastlines, as well as areas affected by acid rain.
No specific protection	Hikvision products at this level are equipped for use in areas where no specific anti-corrosion protection is needed.

▪ Available Model

DS-2CD6924G0-IHS/NFC(2.8mm)

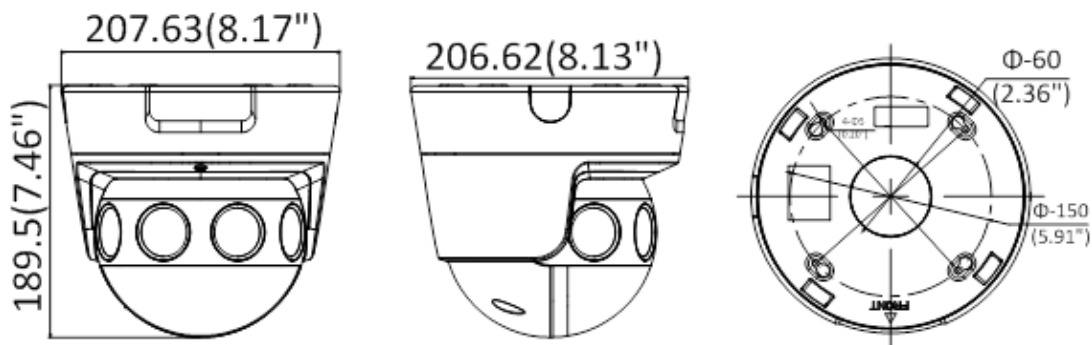
DS-2CD6924G0-IHS/NFC(6mm)

DS-2CD6924G0-IHS(2.8mm)

DS-2CD6924G0-IHS(6mm)

DS-2CD6924G0-IHS(2.8mm)(D)

▪ **Dimension**



Unit: mm

▪ **Accessory**

▪ **Optional**

DS-1661ZJ Pendant Mount	DS-1602ZJ Wall mount
