

## DS-2TP31B-3AUF

Temperature Screening Handheld Thermography Camera

114-054B



The Temperature Screening Handheld Thermography Camera, specially designed for surface temperature measurement. It's equipped with a 160 × 120 resolution thermal detector. It helps to detect high temperature quickly.

Note that the device is not for medical use.

### Key Feature

- 160 × 120 resolution
- Thermography accuracy up to  $\pm 0.5$  °C
- 320 × 240 resolution 2.4" LCD display
- Built-in rechargeable Li-ion battery
- Up to 8 hours continuous running

### Function

#### Thermography

Device detects the real-time temperature, and display it on the screen.

#### Storage

Device is equipped with replaceable memory card to store snapshots.

#### Alarm

Device supports color alarm if temperature is higher than the setting value.

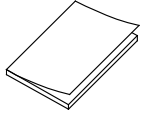


## Specification

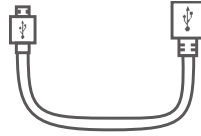
Model		DS-2TP31B-3AUF
Parameter	Temperature Screening Handheld Thermography Camera	
Thermal Module	Image sensor	Uncooled Focal Plane Arrays
	Max. Resolution	160 × 120
	Pixel Pitch	17μm
	Response waveband	8μm to 14μm
	NETD	< 40mK (@ 25 °C,F#=1.0)
	Field of View	37.2° × 50 °
	Focal length	3.1 mm
	IFOV	5.48 mrad
	Min. Focus Length	≥ 150 mm
	Aperture	F 1.1
Image Display	Monitor	320 × 240 resolution 2.4" LCD display
	Palettes	Black hot, White hot, Rainbow, Ironbow
Thermography	Rules	Max. Temperature; Min. Temperature; Center Temperature
	Thermographic Range	30 °C to 45 °C
	Thermographic Accuracy	± 0.5 °C
Battery	Battery Type	Rechargeable Lithium Battery
	Battery Operating Time	8 hours continuous running @ 25 °C
Function	Storage	Replaceable memory card (default 8 G, support up to 128 G storage)
	Photo	Thermal image
General	Language	English
	Power	3.7 VDC/0.4 A
	Power Consumption	Less than 1.2 W
	Hardware Interface	micro USB
	Working Temperature	10 °C to 35 °C (50 °F to 95 °F)
	Protection level	IP54
	Drop Test Height	2 m (6.56 feet)
	Dimension	196 mm × 117 mm × 59 mm (7.7" × 4.6" × 2.3")
Weight	Less than 350 g (0.77 lb)	

**Available Model**  
DS-2TP31B-3AUF

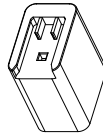
**Accessory**



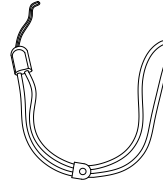
Quick Start Guide  
(x1)



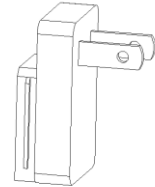
USB Cable (x1)



power Adapter  
(x1)

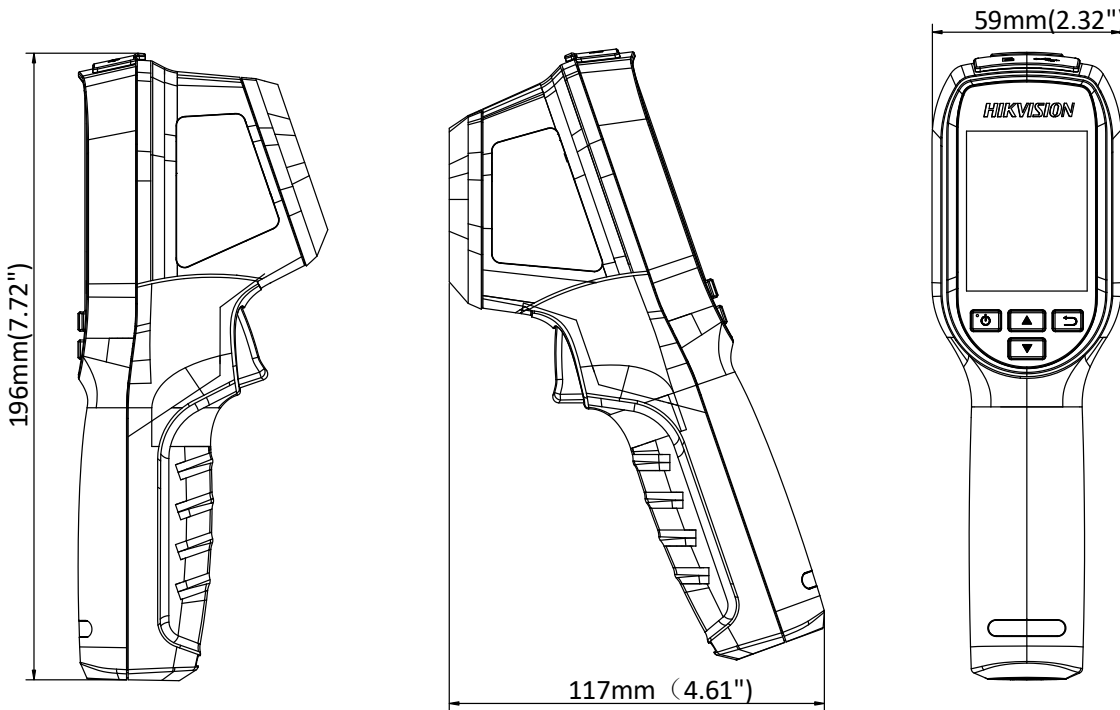


Wrist Strap (x1)



Adapter (x5)

**Dimension**



COMPLIANCE NOTICE: The thermal series products might be subject to export controls in various countries or regions, including without limitation, the United States, European Union, United Kingdom and/or other member countries of the Wassenaar Arrangement. Please consult your professional legal or compliance expert or local government authorities for any necessary export license requirements if you intend to transfer, export, re-export the thermal series products between different countries.



Innovative Electronic Solutions  
[www.ness.com.au](http://www.ness.com.au)



NSW Ph 02 8825 9222 | VIC Ph 03 9875 6400 | QLD Ph 07 3399 4910 | WA Ph 08 9328 2511 | SA Ph 08 8152 0000  
[sales@ness.com.au](mailto:sales@ness.com.au) | [nessmelb@ness.com.au](mailto:nessmelb@ness.com.au) | [nessbris@ness.com.au](mailto:nessbris@ness.com.au) | [nessper@ness.com.au](mailto:nessper@ness.com.au) | [adelaide@ness.com.au](mailto:adelaide@ness.com.au)

© Ness Corporation Pty Ltd ABN 28 069 984 372. Photos are used for illustrative purposes only. Design and specifications may vary. See the Ness Corporation web site for full warranty details.