

DS-KD8005-IME1
KD8 Series Modular Door Station

104-928-5



- Main unit of modular door station with high 5 MP resolution camera
- Flexible adjustment of 0/1/2 call buttons
- Standard PoE power supply
- IP65, IK08 protection level
- Convenient configuration via Web remotely
- Two-lock control
- Aluminum high quality material

▪ Specification

System parameters	
Operation system	Linux
ROM	4 GB
RAM	256 MB
Processor	Embedded high performance processor
Video parameters	
Lens	5 MP camera
Resolution	3200* 1800
FOV	Horizontal: 134°, Vertical: 82°
Wide dynamic range (WDR)	Support, 100dB
Supplement light	Low illumination, IR supplement lights
Video compression standard	H.264, H.265, MJPEG
Audio parameters	
Audio input	1 built-in omnidirectional microphone
Audio compression standard	G711U、G711A、G722.1、G726、AAC_LC、AAC_LD、OPUS
Audio output	1 built-in loudspeaker
Audio compression bitrate	Max. 64 Kps
Audio quality	Noise suppression and echo cancellation
Volume adjustment	Adjustable
Audio Performance	30cm 80dB
Capacity	
User capacity	2000
Linked indoor station capacity	1000
Sub door station capacity	99
Network parameters	
Network protocol	TCP/IP, RTSP, RTP, SIP, Onvif
Device interfaces	
Alarm input	4 (2 exit buttons and 2 door contacts by default)
Network interface	1 RJ-45, 10/100 Mbps self-adaptive
TAMPER	1
Exit button	2 (2 for lock control)
RS-485	1 (1 for Hikvision's sub module communication)
Lock control	2 relays, Max. 30 VDC, 2 A
Door contact input	2
General	
Button	2
Installation	Surface mounting, flush mounting
Indicator	3
Weight	Without package: 260 g (0.57 lb)
Protective level	IP65, IK08
Working temperature	-40°C ~+60°C
Power supply	12 VDC, 1.5 A, IEEE802.3af, Standard PoE
Application environment	Outdoor
Power consumption	≤ 5 W

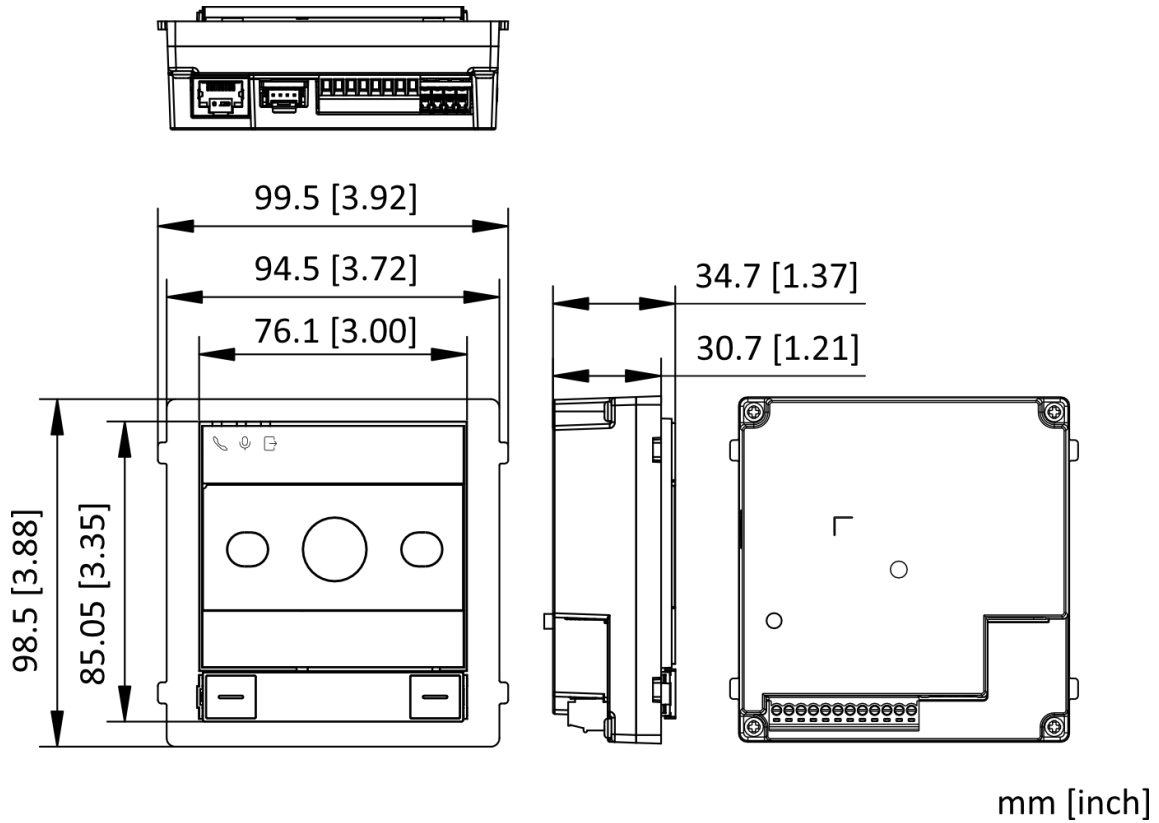
▪ **Available Model**

DS-KD9005-BUSHY(S26A)

DS-KD9005-BUSHY(S26)

DS-KD8005-IME1

▪ **Dimension**



▪ **Accessory**

▪ **Optional**

DS-KD-ACF3/Plastic	DS-KAW50-1	DS-KD-K12/S	DS-KD-K12	DS-KD-KK
DS-KD-TDM	DS-KABD8003-RS1	DS-KABD8003-RS3	DS-KD-ACF2/Plastic	DS-KAW50-1N

				
DS-KD-DIS	DS-KD-KP#EU	DS-KD-ACW3	DS-KD-M	DS-KD-MFB
				
DS-KD-INFO	DS-KD-BK	DS-KD-ACW1#EU	DS-KD-IN	DS-KD-ACW2
				
DS-KD-MFB/S	DS-KD-TDE	DS-KD-ACW1	DS-KD-ACW3#EU	DS-KD-ACF1/Plastic
				
DS-KD-E	DS-KD-KP	DS-KDE-ACR3	DS-KD-ACW2#EU	DS-KABD8003-RS2
				