

## DS-1260ZJ

Junction Box for Bullet Camera

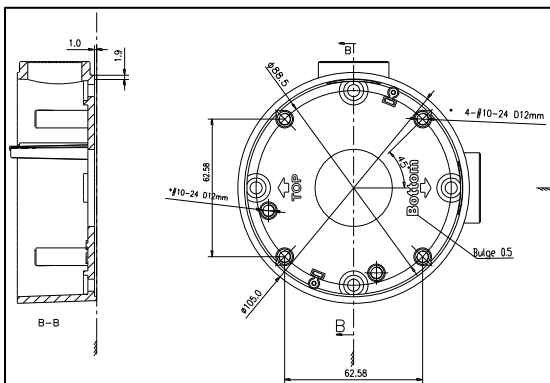
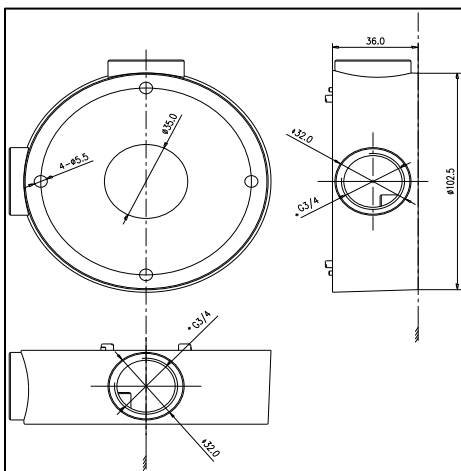


104-779

### Features:

- Aluminum alloy material with surface spray treatment

### Dimension:



### Order Model:

DS-1260ZJ

### Parameter:

Model	DS-1260ZJ
Parameters	Junction Box for Bullet Camera
Appearance	Hikvision White
Material	Aluminum Alloy
Dimension	Ø105 × 36 mm (4.13" × 1.42")
Weight	251 g (0.55 lb.)

### Notice:

- The bracket should be installed on flat wall
- Waterproof rubber is necessary for outdoor application
- The wall must be capable of supporting over 3 times as much as the total weight of the camera and the mount.
- The maximum load capacity of the bracket is 4.5 kg

**Note:** The actual dome camera may vary from the picture above.



Innovative Electronic Solutions  
www.ness.com.au



NSW Ph 02 8825 9222  
sales@ness.com.au

VIC Ph 03 9875 6400  
nessmelb@ness.com.au

QLD Ph 07 3399 4910  
nessbris@ness.com.au

WA Ph 08 9328 2511  
nessper@ness.com.au

SA Ph 08 8152 0000  
adelaide@ness.com.au