

Overhead Door Magnetic Contacts

2202 Series

OVERVIEW

The Aritech 2202 Series overhead door magnetic contact is for use in the rigorous environments of commercial and industrial installations.

The floor mount units are constructed with a low profile heavy cast aluminum housing. The reed switch assembly is fully encased in Aritech's exclusive polyurethane potting material to prevent damage due to moisture or humidity.

A wide operating gap distance of up to 3 inches makes installation easy and helps prevent false alarms caused by door movement or damaged and loose fitting doors.

The 2202 Series is available with a universal style magnet that allows for greater installation flexibility.



STANDARD FEATURES

- Wide 3-inch operating gap
- Fully sealed switch
- Form C unit available
- Mounting hardware included

Overhead Door Magnetic Contacts

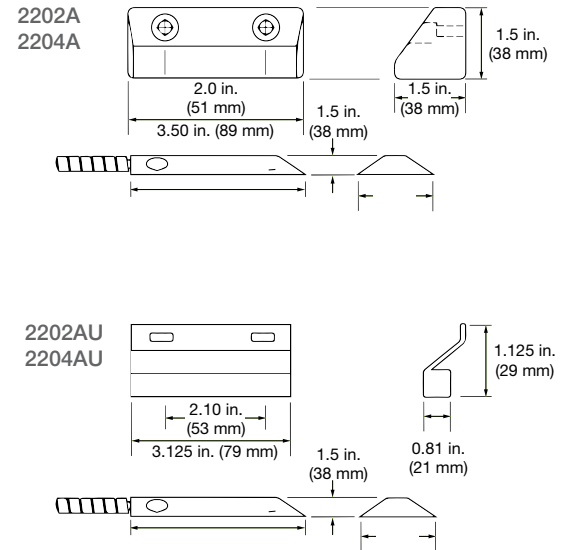
2202 Series

National Sales Enquiries
Level 4.01, 2 Ferntree Place
Notting Hill, Victoria 3168
Phone: 1300 361 479
Outside Australia: +61 401 777 572
www.aritech.com.au

Specifications

Electrical	2202	2204
Voltage	100V AC/DC (supplied by control panel)	30V AC/DC (supplied by control panel)
Current	0.5A maximum	0.25A maximum
Power	7.5W maximum	3.0W maximum
Features		
Loop type	Closed	Open or closed
Electrical configuration	Normally open	SPDT
Gap distance	Up to 3 inches	
Lead type	18 inch flexible stainless steel cable	
Lead colors	common; white - closed loop (N.O.); red - open loop (N.C.)	
Physical		
Dimensions 2202A (LxWxD)	3.50 x 1.50 x 1.50 in. (89 x 38 x 38 mm)	
Dimensions 2202AU and 2204AU (LxWxD)	3.125 x 2.125 x 0.81 in. (79 x 54 x 21 mm)	
Construction	Cast aluminum	
Color	Aluminum	
Regulatory	C-UL-US	

Dimensional Diagram



Ordering Information

2202A-L	Floor-mount Magnetic Contact for Overhead Doors, Aluminum Housing, 3 in. Gap Size, Closed Loop, Includes 18 in. Stainless Steel Armored Cable
2202AU-L	Floor-mount Magnetic Contact for Overhead Doors, Universal Magnet, 3 in. Gap Size, Closed Loop, Includes 18 in. Stainless Steel Armored Cable
2204A-L	Floor-mount Magnetic Contact for Overhead Doors, Aluminum Housing, 3 in. Gap Size, SPDT, Includes 18 in. Stainless Steel Armored Cable
2204AU-L	Floor-mount Magnetic Contact for Overhead Doors, Universal Magnet, 3 in. Gap Size, SPDT, Includes 18 in. Stainless Steel Armored Cable