

DS-UPS600
UPS

114-691

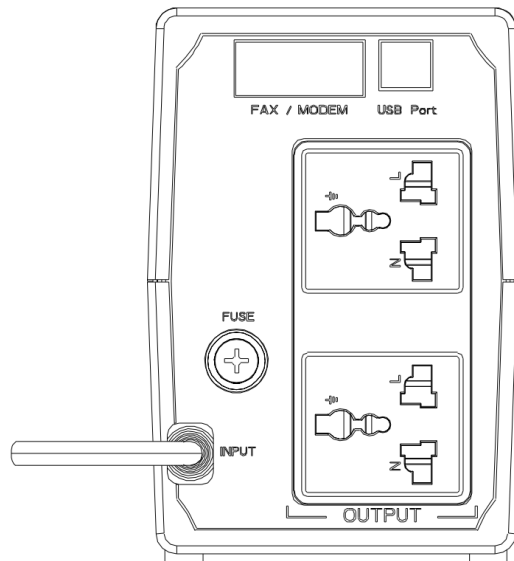
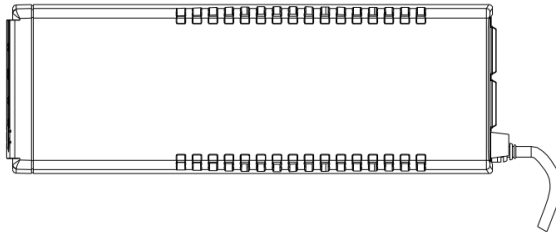
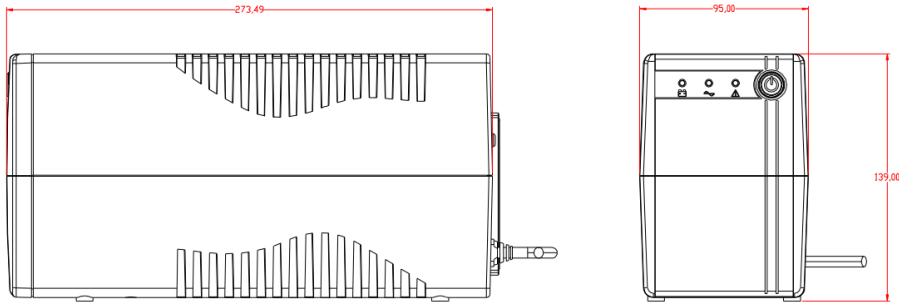


- Wide input voltage range
- Built-in AVR
- Super fast charging
- Overload and short circuit protection
- Compact design

▪ Specification

Model		DS-UPS600
Power	UPS Capacity	600 VA / 360 W
Input	Input Voltage Range	140 VAC to 290 VAC
	Input Frequency	50/60 Hz
Output	Output Voltage Range	210 VAC to 235 VAC
	Output Frequency	50 Hz ± 0.5 Hz
	Transfer Time	≤ 10 ms
	Waveform	PWM
Battery	Battery Type	12 V/7 Ah
	Recharge Time	4-6 hours recover to 90% capacity
Indicator	Display	LED indicator Working Mode (AC Mode): Solid green Charging Mode (DC Mode): Solid red Overloading Mode: Flashing yellow
	Alarm	Charging Mode (DC mode): Sounding every 8 seconds Low Battery: Sounding every second Overloading Mode: Sounding every 0.5 seconds Fault: Continuously sounding
Interface	Communicate Ports	No
Protection	Full Protection	Surge protection, Overload protection, Discharge protection
General	Operating Temperature	0 °C to 40 °C (32 °F to 104 °F)
	Operating Humidity	30% to 90% (non-condensing)
	Dimension	274 mm × 95 mm × 139 mm (10.79" × 3.74" × 5.47")
	Weight	Approx. 4.2 kg (9.26 lb)

Dimensions



ORDERING INFORMATION

114-691

Hikvision 600VA Hikvision DS-UPS600-AU 600VA UPS



Innovative Electronic Solutions
www.ness.com.au



NSW Ph 02 8825 9222
sales@ness.com.au

VIC Ph 03 9875 6400
nessmelb@ness.com.au

QLD Ph 07 3399 4910
nessbris@ness.com.au

WA Ph 08 9328 2511
nessper@ness.com.au

SA Ph 08 8152 0000
adelaide@ness.com.au