

**DS-D5022FN-C**  
**22-inch Monitor**

114-285B



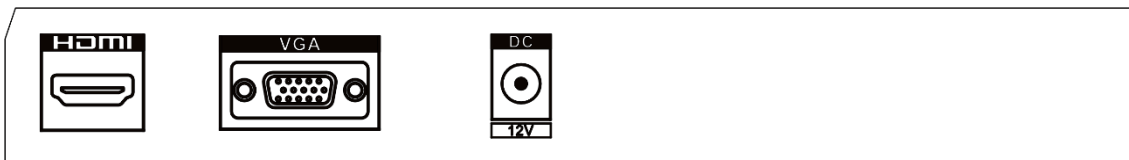
- Ultra-thin device body with ultra-thin border for 3 sides.
- 2 channels of 8 bit/10 bit LVDS HD (1920\*1080) display.
- 178° ultra-wide view screen.
- 3D noise reduction.
- Low blue light design for eye care.
- Dual interface of HDMI and VGA.
- Support VESA wall mount.

## ▪ Specification

Model		DS-D5022FN-C
Display	Screen Size	21.5"
	Active Display Area	478.656 (H) mm × 260.28 (V) mm
	Resolution	1920 × 1080
	Backlight	E-LED
	Pixel Pitch	0.0831 (H) mm × 0.241 (V) mm
	Brightness	250 cd/m <sup>2</sup>
	Viewing Angle	178°/178°
	Color Depth	8 bit
	Contrast Ratio	3000 : 1
	Response Time	6.5 ms (typ)
	Refresh Rate	60 Hz
	Haze	25 %
	Reliability	7 × 16 H
	Color Gamut	72%
Interface	Video & Audio Input	HDMI 1.4 × 1, VGA × 1, Audio In × 1
Power	Power Supply	100-240 VAC, 50/60 Hz
	Power Consumption	≤ 22 W
	Standby Consumption	≤ 0.5 W
Working Environment	Working Temperature	0 °C to 40 °C (32 °F to 104 °F)
	Working Humidity	20% to 90% RH (Non-Condensing)
	Storage Temperature	-20 °C to 60 °C (-4 °F to 140 °F)
	Storage Humidity	10% to 90% RH (Non-Condensing)
General	Casing Material	Plastic
	VESA	75 mm × 75 mm, 4-M6 × 6 screw holes
	Bezel Width	1.88 mm (top/left/right), 19 mm (bottom)
	Product Dimensions (W × H × D)	With base: 492.356 (W) mm × 390.11 (H) mm × 200.20 (D) mm (19.38" × 15.36" × 7.88") Without base: 492.356 (W) mm × 289.680 (H) mm × 43.88 (D) mm (19.38" × 11.40" × 1.73")

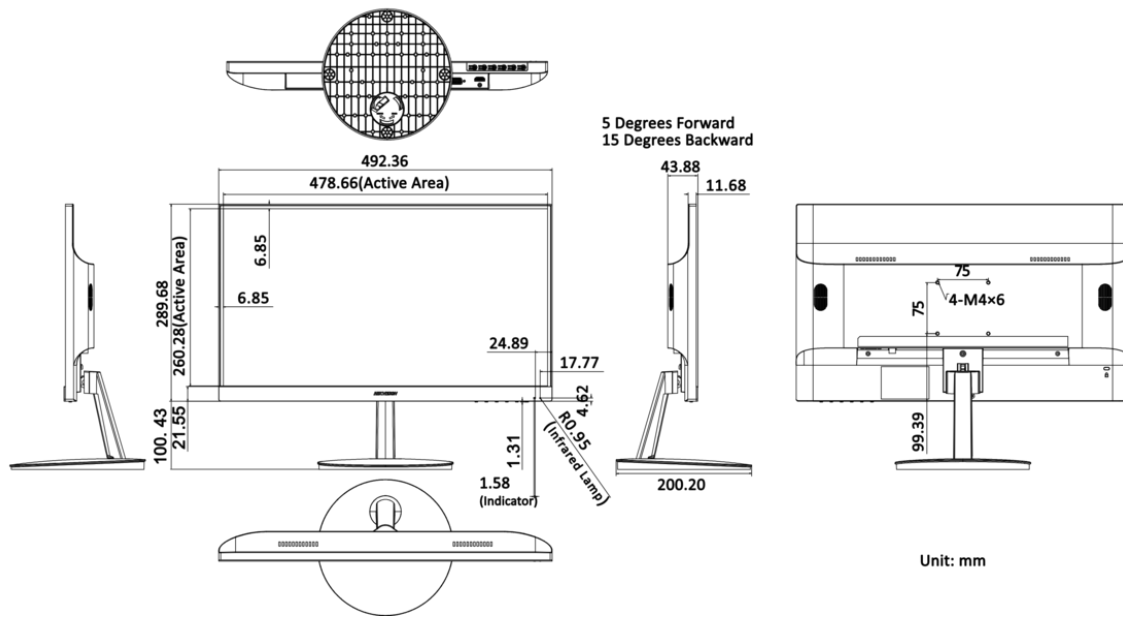
Package Dimensions (W × H × D)	647 (W) mm × 111 (H) mm × 406 (D) mm (25.49" × 4.37" × 15.99")
Net Weight	2.6 ± 0.5 kg (5.7 ± 1.1 lb.)
Gross Weight	4.0 ± 0.5 kg (8.8 ± 1.1 lb.)
Packing List	Monitor ×1, AC power cable × 1, base bracket × 1, user manual × 1, quick start guide × 1, HDMI cable × 1
Remarks	*The base is included by default. *The product appearance and parameters in this specification may vary from your actual device. Please consult our local sales staff for further information.

## Physical Interface



Interface	Description
HDMI	HDMI digital signal input
VGA	VGA analog signal input
AC 100-240V~	100-240 VAC power supply
AUDIO IN	3.5mm Audio Input

▪ **Dimension**



**ORDERING INFORMATION**

114-285B Hikvision DS-D5022FN-C 22" Monitor AU



Innovative Electronic Solutions  
www.ness.com.au



<b>NSW</b> Ph 02 8825 9222 sales@ness.com.au	<b>VIC</b> Ph 03 9875 6400 nessmelb@ness.com.au	<b>QLD</b> Ph 07 3399 4910 nessbris@ness.com.au	<b>WA</b> Ph 08 9328 2511 nessper@ness.com.au	<b>SA</b> Ph 08 8152 0000 adelaide@ness.com.au
---	--	--	--	---