

DS-1697ZJ-Y3(OS)

Wall Mount

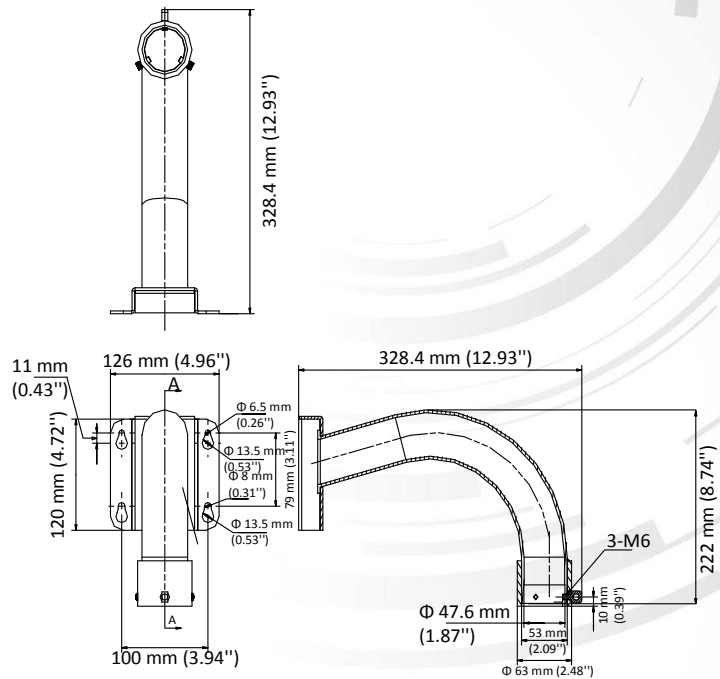
114-227



Feature

- Anti-corrosion design for adverse environments
- The safety rope enables convenient installation

Dimension



Parameter

Model	DS-1697ZJ-Y
Parameters	Wall Mount
Appearance	Silver moon grey
Material	SUS316L
Dimension	126 mm × 222 mm × 328 mm (4.96" × 8.74" × 12.93")
Weight	Approx. 2307 g (5.09 lb.)

Note

- The mount should be installed on a flat surface.
- Waterproof rubber is necessary for the outdoor application.
- The wall should be capable of supporting at least 3 times as much as the total weight of the camera, and the mount.
- The maximum load capacity of the mount is 8 kg (17.64 lb.).

ORDERING INFORMATION

114-227

Hikvision DS-1697ZJ-Y3(OS) Wall bracket anti-corrosion



Innovative Electronic Solutions
www.ness.com.au



NSW Ph 02 8825 9222
sales@ness.com.au

VIC Ph 03 9875 6400
nessmelb@ness.com.au

QLD Ph 07 3399 4910
nessbris@ness.com.au

WA Ph 08 9328 2511
nessper@ness.com.au

SA Ph 08 8152 0000
adelaide@ness.com.au