

DS-KB8113-IME1 Vandal-Resistant Doorbell

114-223



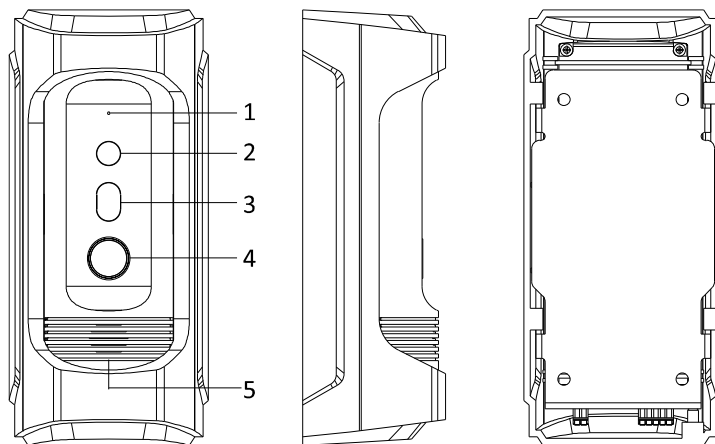
Key Feature

- Standard PoE
- 2 MP HD camera
- Noise suppression and echo cancellation
- Low illumination
- Access control functions
- Configuration remotely via Web

Specification

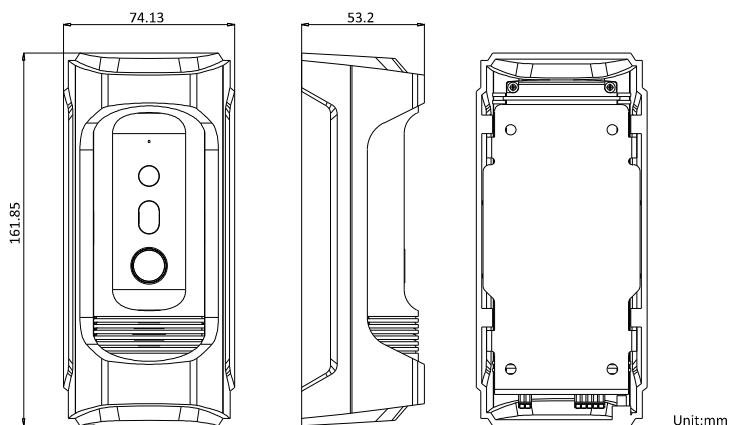
System parameters	
Operation system	Embedded Linux operation system
Flash	32 M
RAM	256 M
Video Parameters	
Camera	2MP HD camera
Night vision	Low illumination IR supplement mode:3 m
WDR	True WDR
Field of view	Horizontal: 87° Vertical: 49° Diagonal: 102°
Video compression standard	H.264
Stream	Main stream: 1080p@30fps, 720p@30fps Sub stream: D1
Resolution	Main stream: 1920 × 1080p, 720p Sub stream: 704 × 576
Motion detection	Support
Anti-flicker frequency	50 Hz, 60 Hz
Audio parameters	
Audio intercom	Two-way audio communication
Audio input	Built-in omnidirectional microphone
Audio output	Built-in loudspeaker
Audio compression standard	G.711 U
Audio compression Rate	64 Kbps
Audio quality	Noise suppression and echo cancellation
Network parameters	
Wired network	PoE, 10/100 Mbps self-adapted
Network protocol	TCP/IP, RSTP
Access control parameters	
Swiping card frequency	/
Relay	1
Interfaces	
Debugging port	1
Alarm input	1
Grounding	1
General	
Protection level	IP65, IK09
Button	1
Power supply	IEEE802.3af, standard PoE 12 VDC
Power consumption	< 10 W
Working temperature	-30° C to +50° C (-22° F to 122° F)
Working humidity	10% to 90%
Heat module	Support
Installation	Surface mounting

Appearance and Interfaces



No.	Description	No.	Description
1	Microphone	4	Call Button
2	Built-in Camera	5	Loudspeaker
3	Low Illumination Supplement Light		

Dimension





ORDERING INFORMATION

114-223 Hikvision DS-KB8113-IME1



Innovative Electronic Solutions
www.ness.com.au



NSW Ph 02 8825 9222 sales@ness.com.au	VIC Ph 03 9875 6400 nessmelb@ness.com.au	QLD Ph 07 3399 4910 nessbris@ness.com.au	WA Ph 08 9328 2511 nessper@ness.com.au	SA Ph 08 8152 0000 adelaide@ness.com.au
--	--	--	---	---