

DS-2CD2T46G1-4I/SL
4 MP IR Fixed Bullet Network Camera

114-158x



- Max. 2688 × 1520 @30fps
- 2.8 mm/4 mm/6 mm/8 mm fixed lens
- H.265+, H.264+, H.265, H.264
- 120dB WDR
- Powered by DarkFighter
- False alarm reduction by human and vehicle target classification based on deep learning
- 12 VDC & PoE (802.3af, class 3)
- Built-in micro SD/SDHC/SDXC slot, up to 128G
- BLC/3D DNR/HLC/ROI
- 0.012 Lux @ (F1.6, AGC ON), 0 Lux with IR
- Built-in speaker
- Strobe Light & Audio Alarm
- IP66

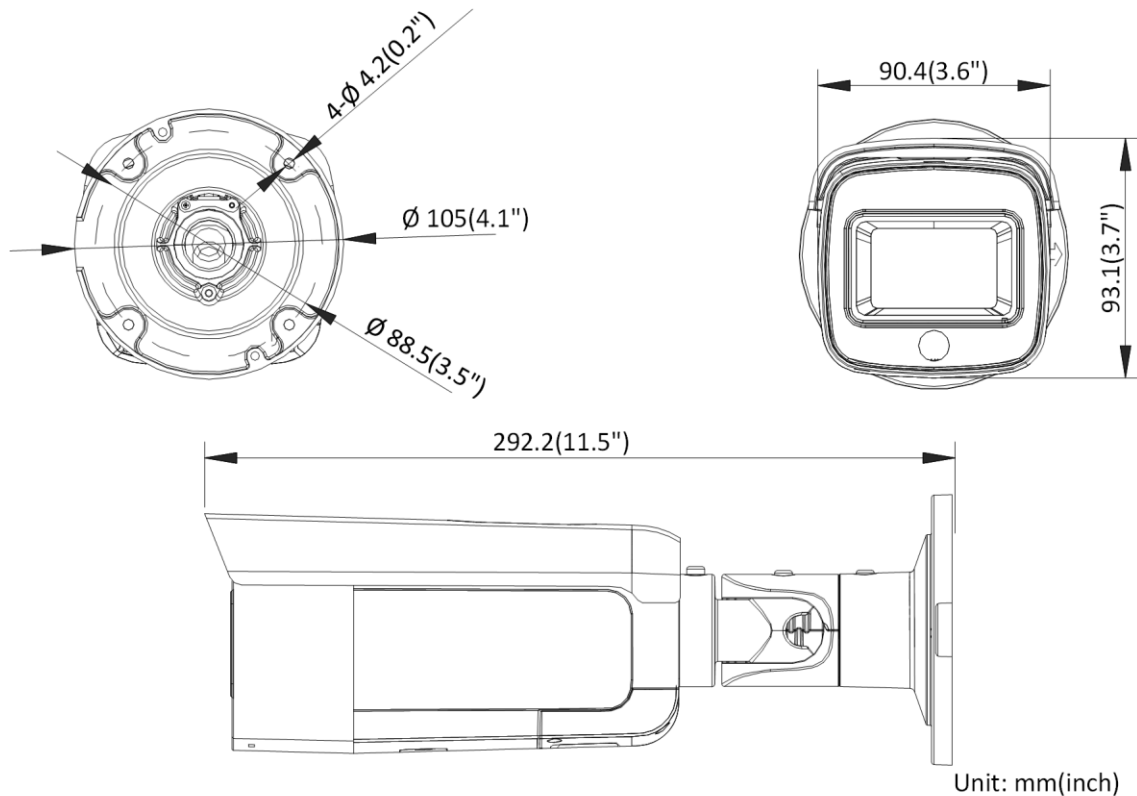
Specification

Camera	
Image Sensor	1/2.7" Progressive Scan CMOS
Min. Illumination	0.012 Lux @ (F1.6, AGC ON), 0 Lux with IR
Shutter Speed	1/3 s to 1/100,000 s
Slow Shutter	Yes
Day & Night	IR cut filter
DNR	3D DNR
Wide Dynamic Range	120dB
Angle Adjustment	Pan: 0° to 360°, tilt: 0° to 90°, rotate: 0° to 360°
Lens	
Focal length	2.8/4/6/8mm
Aperture	F1.6
Focus	Fixed
FOV	2.8 mm, horizontal field of view: 104°, vertical FOV: 58°, diagonal FOV: 124° 4 mm, horizontal field of view: 83°, vertical FOV: 44°, diagonal FOV: 99° 6 mm, horizontal field of view: 51°, vertical FOV: 28°, diagonal FOV: 58° 8 mm, horizontal field of view: 39°, vertical FOV: 21°, diagonal FOV: 45°
Lens Mount	M12
IR	
IR Range	Up to 80 m
Wavelength	850 nm
Compression Standard	
Video Compression	Main stream: H.265/H.264 Sub-stream: H.265/H.264/MJPEG Third stream: H.265/H.264
H.264 Type	Main Profile/High Profile
H.264+	Main stream supports
H.265 Type	Main Profile
H.265+	Main stream supports
Video Bit Rate	32 Kbps to 16 Mbps
Smart Feature-set	
Behavior Analysis	Line crossing detection, intrusion detection, region entrance detection, region exit detection, false alarm reduction by human and vehicle target classification based on deep learning. When H265+, three streams or motion detection is enabled, the behavior analyses (including line crossing detection, intrusion detection, region entrance detection and region exiting detection) are not supported.
Exception Detection	Scene change detection

Image	
Max. Resolution	2688 × 1520
Main Stream	50Hz: 25fps (2688 × 1520, 1920 × 1080, 1280 × 720) 60Hz: 30fps (2688 × 1520, 1920 × 1080, 1280 × 720)
Sub-Stream	50Hz: 25fps (640 × 480, 640 × 360, 320 × 240) 60Hz: 30fps (640 × 480, 640 × 360, 320 × 240)
Third Stream	50Hz: 25fps (1280 × 720, 640 × 480, 640 × 360, 320 × 240) 60Hz: 30fps (1280 × 720, 640 × 480, 640 × 360, 320 × 240)
Image Enhancement	BLC/3D DNR/HLC
Image Settings	Saturation, brightness, contrast, sharpness, AGC, white balance adjustable by client software or web browser
Day/Night Switch	Day/Night/Auto/Schedule
ROI (Region of Interest)	Support 4 fixed region for main stream and sub-stream separately
Network	
Network Storage	Support microSD/SDHC/SDXC card (128G) local storage, NAS (NFS,SMB/CIFS), ANR
Alarm Trigger	Motion detection, video tampering, network disconnected, IP address conflict, illegal login, HDD full, HDD error
Protocols	TCP/IP, ICMP, HTTP, HTTPS, FTP, DHCP, DNS, DDNS, RTP, RTSP, RTCP, PPPoE, NTP, UPnP, SMTP, SNMP, IGMP, 802.1X, QoS, IPv6, UDP, Bonjour
General Function	One-key reset, anti-flicker, heartbeat, mirror, password protection, privacy mask, watermark, IP address filter
Firmware Version	V5.5.72
API	ONVIF (PROFILE S, PROFILE G, PROFILE T), ISAPI
Simultaneous Live View	Up to 6 channels
User/Host	Up to 32 users 3 levels: Administrator, Operator and User
Client	iVMS-4200, Hik-Connect, iVMS-5200, iVMS-4500
Web Browser	IE8+, Chrome 41.0-44, Firefox 30.0-51, Safari 8.0-11
Interface	
Audio	Built-in speaker, max sound pressure level: 100dB
Communication Interface	1 RJ45 10M/100M self-adaptive Ethernet port
On-board Storage	Built-in microSD/SDHC/SDXC slot, up to 128 GB
Reset Button	Yes
SVC	H.265 and H.264 encoding support
General	
Operating Conditions	-30 °C to +60 °C (-22 °F to +140 °F), humidity 95% or less (non-condensing)
Power Supply	12 VDC ± 25%, 5.5 mm coaxial power plug PoE(802.3at, class 4)
Power Consumption	12 VDC, 1.25 A, max. 15 W PoE: (802.3at, 42.5 V to 57 V), 0.42 A to 0.32 A, max. 18 W
Protection Level	IP66
Material	Front cover: metal, back cover: metal

Dimensions	Camera: Φ 105 × 292.2 mm (Φ 4.1" × 11.5") With package: 385 × 190 × 180 mm (15.2" × 7.5" × 7.1")
Weight	Camera: 1320 g (2.9 lb.) With package: 1924 g (4.2 lb.)

Dimension



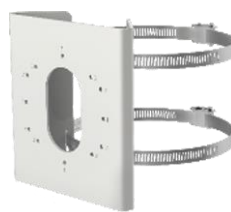
Accessory



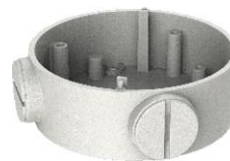
DS-1275ZJ-SUS
Vertical pole mount



DS-1276ZJ-SUS
Corner mount



DS-1275ZJ-S-SUS
Vertical pole mount



DS-1260ZJ
Junction box



DS-1280ZJ-S
Junction box

ORDERING INFORMATION

114-158	Hikvision DS-2CD2T46G1-4I/SL Accusense IP Bullet Camera 4MP 2.8mm Lens
114-158B	Hikvision DS-2CD2T46G1-4I/SL Accusense IP Bullet Camera 4MP 2.8mm Lens inc Built-in microphone and speaker, Audio/Alarm I/O



Innovative Electronic Solutions
www.ness.com.au



NSW Ph 02 8825 9222
sales@ness.com.au

VIC Ph 03 9875 6400
nessmelb@ness.com.au

QLD Ph 07 3399 4910
nessbris@ness.com.au

WA Ph 08 9328 2511
nessper@ness.com.au

SA Ph 08 8152 0000
adelaide@ness.com.au