

DS-2CD2T85G1-I5/I8
8 MP IR Fixed Bullet Network Camera

114-095



Key Features

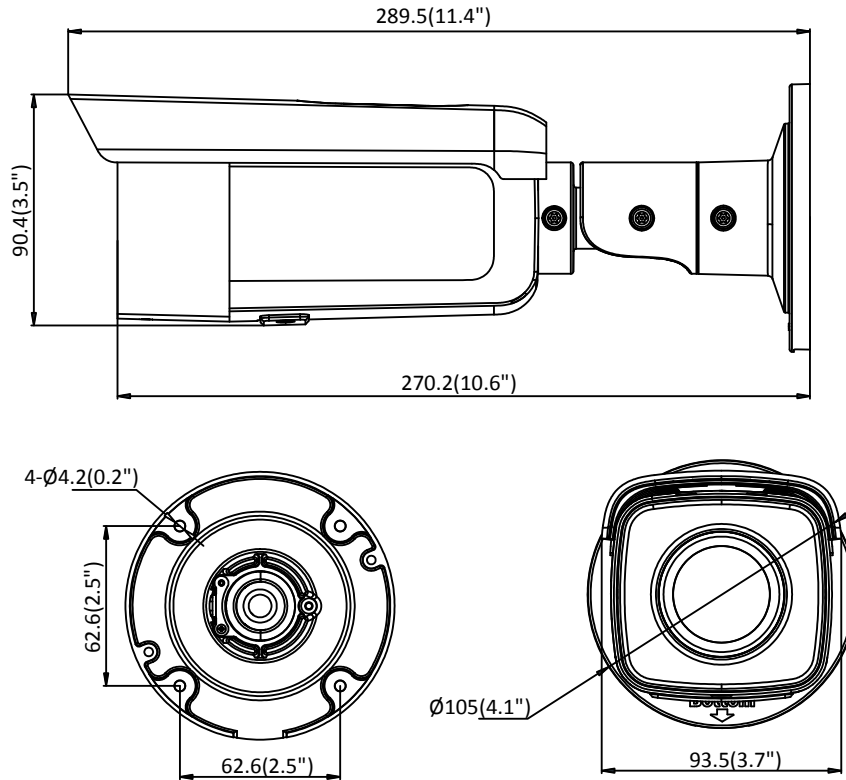
- Up to 8 megapixel high resolution
- Max. 3840 × 2160 @20fps
- 2.8 mm/4 mm/6 mm fixed lens, optional
- H.265, H.265+, H.264+, H.264
- 120dB WDR
- Powered by Darkfighter
- 12 VDC & PoE (802.3af, class 3)
- Support on-board storage, up to 128 GB
- IP67
- BLC/3D DNR/ROI/HLC
- Color: 0.008 Lux @ (F1.2, AGC ON), 0.014 Lux @ (F1.6, AGC ON)

Specification

| Camera | |
|--|--|
| Image Sensor | 1/2" Progressive Scan CMOS |
| Min. Illumination | Color: 0.008 Lux @ (F1.2, AGC ON), 0.014 Lux @ (F1.6, AGC ON) |
| Shutter Speed | 1/3 s to 1/100,000 s |
| Slow Shutter | Yes |
| Focal length | 2.8/4/6 mm |
| Focus | Fixed |
| Lens | 2.8 mm, horizontal FOV: 110.7°, vertical FOV: 59.1°, diagonal FOV: 131° 4 mm, horizontal FOV: 87.1°, vertical FOV: 47.4°, diagonal FOV: 101.8° 6 mm, horizontal FOV: 50.8°, vertical FOV: 27.6°, diagonal FOV: 60° |
| Lens Mount | M16 |
| Aperture | F1.6 |
| Day & Night | IR cut filter |
| DNR | 3D DNR |
| Wide Dynamic Range | 120dB |
| 3-Axis Adjustment | Pan: 0° to 360°, tilt: 0° to 90°, rotate: 0° to 360° |
| Compression Standard | |
| Video Compression | Main stream: H.265/H.264 Sub-stream: H.265/H.264/MJPEG Third stream: H.265/H.264 |
| H.264 Type | Main Profile/High Profile |
| H.264+ | Main stream supports |
| H.265 Type | Main Profile |
| H.265+ | Main stream supports |
| Video Bit Rate | 32 Kbps to 16 Mbps |
| Image | |
| Max. Resolution | 3840 × 2160 |
| Main Stream | 50Hz: 20 fps (3840 × 2160), 25 fps (3072 × 1728, 2560 × 1440, 1920 × 1080, 1280 × 720) 60Hz: 20 fps (3840 × 2160), 30 fps (3072 × 1728, 2560 × 1440, 1920 × 1080, 1280 × 720) |
| Sub-Stream | 50Hz: 25fps (640 × 480, 640 × 360, 320 × 240) 60Hz: 30fps (640 × 480, 640 × 360, 320 × 240) |
| Third Stream | 50Hz: 25fps (1280 × 720, 640 × 360, 352 × 288) 60Hz: 30fps (1280 × 720, 640 × 360, 352 × 240) |
| Image Enhancement | BLC/3D DNR/HLC |
| Image Setting | Rotate mode, saturation, brightness, contrast, sharpness, AGC, and white balance adjustable by client software or web browser |
| ROI (Region of Interest) | Support 1 fixed region for main stream and sub-stream separately |
| Day/Night Switch | Day/Night/Auto/Schedule |
| *Note: When the main stream resolution is 3840 × 2160, max frame rate is 20 fps for all streams. | |
| Network | |
| Network Storage | Support micro SD/SDHC/SDXC card (128G) local storage, NAS (NFS,SMB/CIFS), ANR |
| Protocols | TCP/IP, UDP, ICMP, HTTP, HTTPS, FTP, DHCP, DNS, DDNS, RTP, RTSP, RTCP, PPPoE, NTP, UPnP, SMTP, SNMP, IGMP, 802.1X, QoS, IPv6, UDP, Bonjour, SSL/TLS |
| General Function | Anti-flicker, three streams, heartbeat, mirror, privacy masks, password reset via e-mail, pixel counter, HTTP listening |

| | |
|--------------------------|--|
| API | ONVIF (PROFILE S, PROFILE G, PROFILE T), ISAPI, SDK |
| Security | Password protection, complicated password, HTTPS encryption, 802.1X authentication (EAP-TLS 1.2, EAP-LEAP, EAP-MD5), watermark, IP address filter, basic and digest authentication for HTTP/HTTPS, WSSE and digest authentication for ONVIF, TLS1.2 |
| Simultaneous Live View | Up to 6 channels |
| User/Host | Up to 32 users 3 levels: Administrator, Operator and User |
| Client | iVMS-4200, Hik-Connect, Hik-Central |
| Web Browser | Plug-in required live view: IE8+ Plug-in free live view: Chrome 57.0+, Firefox 52.0+, Safari 11+ Local Service: Chrome 41.0+, Firefox 30.0+ |
| Interface | |
| Communication Interface | 1 RJ45 10M/100M self-adaptive Ethernet port |
| On-board Storage | Built-in micro SD/SDHC/SDXC slot, up to 128 GB |
| Reset Button | Yes |
| Smart Feature-set | |
| Smart Event | Line crossing detection, intrusion detection, unattended baggage detection, object removal detection, face detection, scene change detection |
| Basic Event | Motion detection, video tampering alarm, exception (network disconnected, IP address conflict, illegal login, HDD full, HDD error) |
| Linkage Method | Trigger recording: memory card, network storage, pre-record and post-record Trigger captured pictures uploading: FTP, HTTP, NAS, Email Trigger notification: HTTP, ISAPI, Email |
| General | |
| Operating Conditions | -30 °C to +60 °C (-22 °F to +140 °F), humidity 95% or less (non-condensing) |
| Web Client Language | 32 languages English, Russian, Estonian, Bulgarian, Hungarian, Greek, German, Italian, Czech, Slovak, French, Polish, Dutch, Portuguese, Spanish, Romanian, Danish, Swedish, Norwegian, Finnish, Croatian, Slovenian, Serbian, Turkish, Korean, Traditional Chinese, Thai, Vietnamese, Japanese, Latvian, Lithuanian, Portuguese (Brazil) |
| Power Supply | 12 VDC ± 25%, 5.5 mm coaxial power plug PoE (802.3af, class 3) |
| Power Consumption | -I5: 12 VDC, 0.7 A, max: 9 W PoE: (802.3af, 36 VDC to 57 VDC), 0.4 A to 0.2 A, max: 11 W -I8: 12 VDC, 1 A, max: 11 W PoE: (802.3af, 36 VDC to 57 VDC), 0.4 A to 0.2 A, max: 12.9 W |
| IR Range | -I5: Up to 50 m -I8: Up to 80 m |
| Wavelength | 850 nm |
| Protection Level | IP67 |
| Material | Front cover: metal, back cover: metal |
| Dimensions | Camera: Φ105 × 289.5 mm (4.1" × 11.4") |
| Weight | Camera: 1000 g (2.2 lb.) With package: 1500 g (3.3 lb.) |

Dimension



Accessory

Unit: mm(inch)



DS-1260ZJ
Junction Box



DS-1275ZJ-S-SUS
Vertical Pole Mount



DS-1276ZJ-SUS
Corner Mount



DS-1260ZJ(Black)
Junction Box



DS-1275ZJ-SUS(Black)
Vertical Pole Mount



DS-1276ZJ-SUS(Black)
Corner Mount

ORDERING INFORMATION

114-095

Hikvision DS-2CD2T85G1-I8 4K BULLET 6mm



Innovative Electronic Solutions
www.ness.com.au



NSW Ph 02 8825 9222
sales@ness.com.au

VIC Ph 03 9875 6400
nessmelb@ness.com.au

QLD Ph 07 3399 4910
nessbris@ness.com.au

WA Ph 08 9328 2511
nessper@ness.com.au

SA Ph 08 8152 0000
adelaide@ness.com.au