

HK-SFP-1.25G Series SFP Module

114-024M



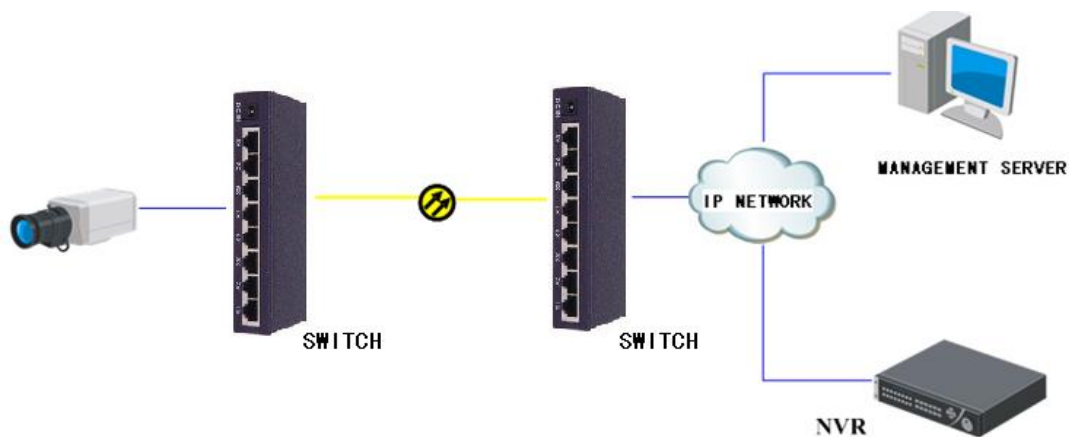
Features and Functions

- Single Power Supply 3.3V
- Small Form Factor Pluggable (SFP) MSA Compatible
- Duplex LC Connector
- Hot Pluggable Capability
- Compliant With ROHS Standard
- Cost effective SFP solution, enables higher port densities and greater bandwidth
- Support 1.25G Ethernet

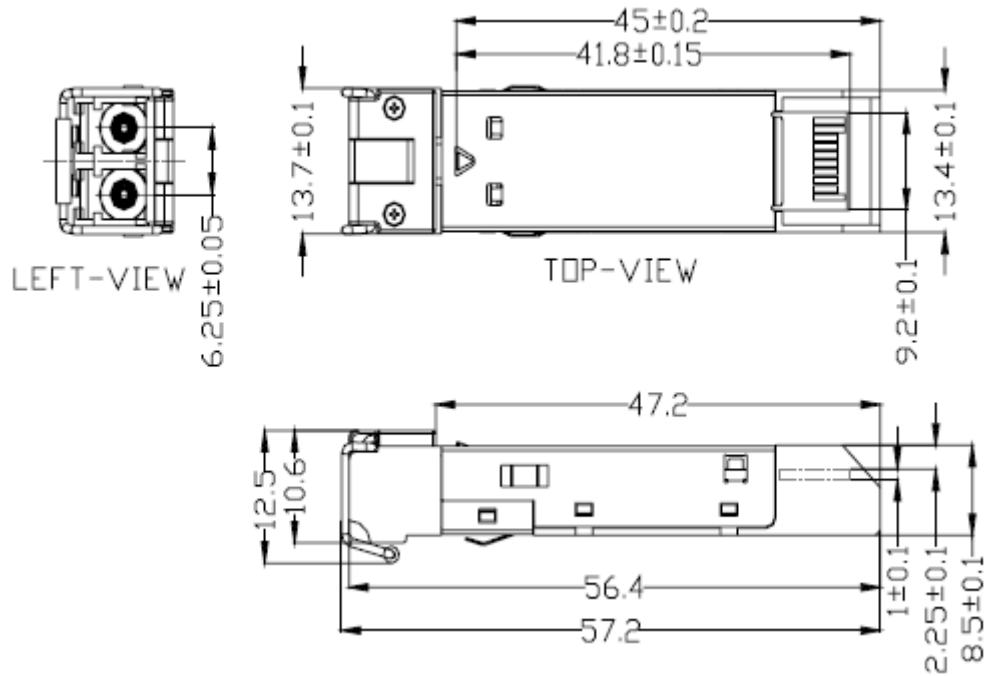
Specifications

Item	HK-SFP-1.25G-1310-DF-MM
Fiber type	MMF, duplex fiber, 62.5/125um, 50/125um
Connector	LC
Date Rate	1250 Mbps
Connector quantity	2
Distance	0~1km
Wavelength	Tx1310nm/Rx1310nm
TX Power	-9~-3dBm
RX Sens(Max.)	-20dBm
Operating temperature	0~70°C
Storage temperature	-40~85°C
Relative humidity	30~80%
Power supply voltage	DC 3.3V

Typical applications



Mechanical (mm)



ORDERING INFORMATION

114-024M HIKVISION HK-SFP-1.25G-1310-DF-MM Optical Fiber EACH



Innovative Electronic Solutions
www.ness.com.au



NSW Ph 02 8825 9222 sales@ness.com.au | VIC Ph 03 9875 6400 nessmelb@ness.com.au | QLD Ph 07 3399 4910 nessbris@ness.com.au | WA Ph 08 9328 2511 nessper@ness.com.au | SA Ph 08 8152 0000 adelaide@ness.com.au