

DS-KABV8113-RS
Flush Mounting Protective Shield

104-970S



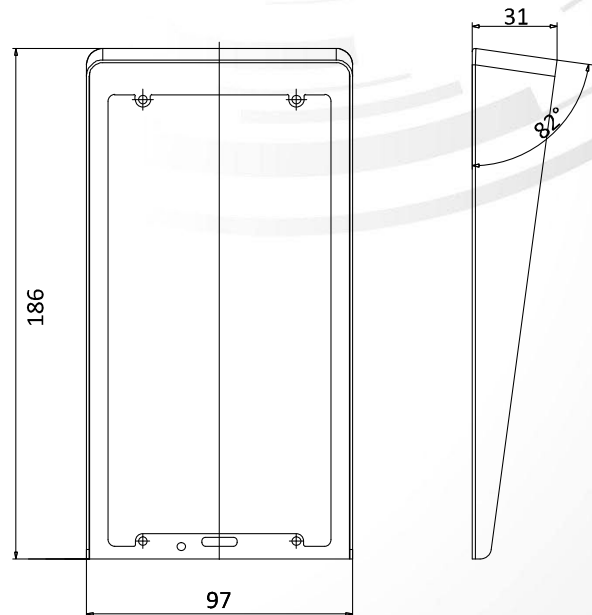
Key Feature

- Flush Mounting protective shield for KV8113/8213/8413 series villa door station

Specification

| Parameters | |
|---------------------|--|
| Material | SECC |
| Working temperature | -40° C to +60° C (-40° F to 140° F) |
| Working humidity | 10% to 95% |
| Dimension | 186 × 97 × 31 mm (7.33" × 3.82" × 1.22") |

Dimension



Unit : mm

ORDERING INFORMATION

104-970S Hikvision DS-KABV8113-RS/SURFACE