

DS-KD8003-IME1
Video Intercom Module Door Station

104-928

Key Feature

- 2 MP HD video intercom function
- Access control function
- Noise suppression and echo cancellation
- H.264 video compression
- Low illumination
- Tampering alarm supported
- Fisheye camera with IR supplement light
- Supports sub-modules' access (max. 8)
- Nametag customization
- Easy to and extend

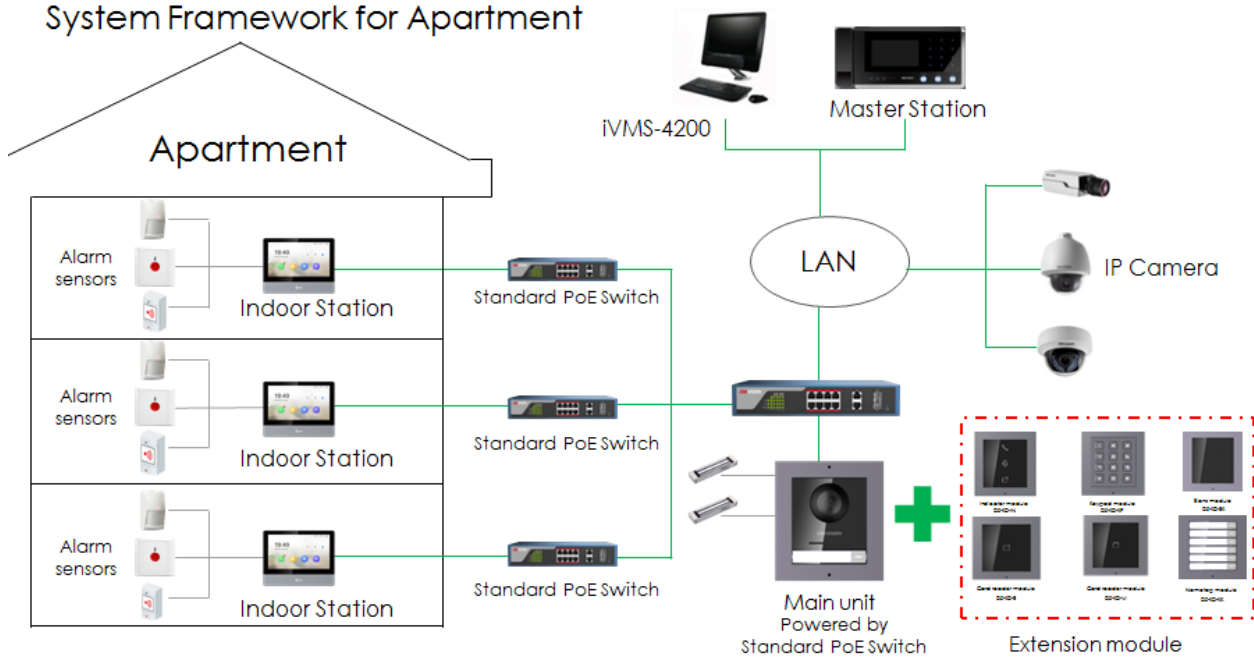


Specification

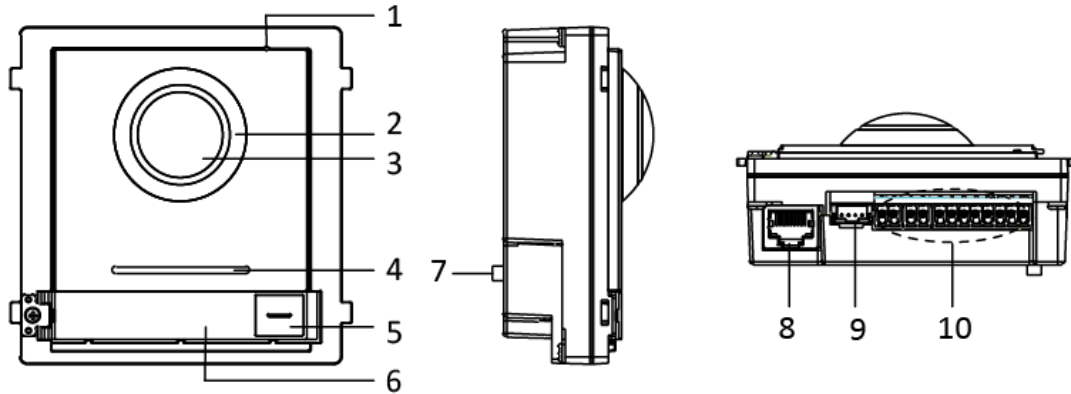
| | | |
|---------------------------|-----------------------------------|---|
| Model | | DS-KD8003-IME1 |
| System parameters | Processor | Embedded MCU Processor |
| | Operation system | Embedded Linux Operation System |
| | Operation method | Physical Button |
| Video parameters | Camera | Low Illumination 2 MP HD IR Camera |
| | Video compression standard | H.264 |
| | Resolution | Main Stream: 1920 × 1080 Sub Stream: 720 × 480 |
| | BLC | Supported |
| | DNR | Supported |
| | WDR | Supported |
| | Anti-flicker | 50 Hz, 60 Hz |
| | Field of View | Horizontal: 180° Vertical: 96° |
| Audio parameters | Audio input | Built-in Omnidirectional Microphone |
| | Audio output | Built-in Loudspeaker(More than 85 dB within 20 cm) |
| | Audio compression standard | G.711 U |
| | Audio compression rate | 64 Kbps |
| | Audio quality | Noise Suppression and Echo Cancellation |
| Light supplement | Light supplement mode | IR Supplement |
| Network parameters | Ethernet | 10/100 Mbps Self-Adaptive Ethernet |
| | Network protocol | TCP/IP, RTSP |
| Alarm parameters | Tampering alarm | 1 |
| Interfaces | Module-connecting | 1 |
| | I/O input | 4 |
| | Debug | 1 |
| | Relay | 2 (30 V, 1 A) |
| General | Physical button | 1 |
| | Power Supply | 12 VDC/PoE (IEEE 802.3af) |
| | Power consumption | ≤10 W |
| | Working temperature | -40° C to +60° C (-40° F to 140° F) |
| | Working humidity | 10% to 95% |
| | IP protection level | IP65 |
| | Installation | Flush Mounting, Surface Mounting |
| | Dimensions (L × W × H) | 98 mm × 99.8 mm × 43.9 mm (3.86" × 3.93" × 1.73") |

Typical Application

System Framework for Apartment



Appearance and Interface



| No. | Description | No. | Description |
|-----|--------------------------------------|-----|-------------------------------------|
| 1 | Microphone | 6 | Nametag |
| 2 | Low Illumination IR Supplement Light | 7 | TAMPER |
| 3 | Built-in Camera | 8 | Network Interface |
| 4 | Loudspeaker | 9 | Module-connecting Interface(output) |
| 5 | Call Button | 10 | Terminals |

ORDERING INFORMATION

104-928

Hikvision Gen2 Video Intercom Module Door Station



Innovative Electronic Solutions
www.ness.com.au



NSW Ph 02 8825 9222
sales@ness.com.au

VIC Ph 03 9875 6400
nessmelb@ness.com.au

QLD Ph 07 3399 4910
nessbris@ness.com.au

WA Ph 08 9328 2511
nessper@ness.com.au

SA Ph 08 8152 0000
adelaide@ness.com.au